

SPECIFICATIONS

1. PICTURE TUBE

Size	: 19 inch (Flat Square Tube)
Deflection Angle	: 90°
Neck Diameter	: 29.1mm
Transmission	: 52%
Dot Pitch	: 0.26mm
Face Treatment	: S-Coating

2. SIGNAL

2-1. Horizontal & Vertical Sync

- 1) Input Voltage Level : Low=0~1.2V, High=2.5~5.5V
- 2) Sync Polarity : Positive or Negative
- 3) Composite Sync Signal
- 4) SOG (Sync On Green)

2-2. Video Input Signal

- 1) Voltage Level : 0 ~ 0.7 Vp-p
 - a) Color 0, 0 : 0 Vp-p
 - b) Color 7, 0 : 0.467 Vp-p
 - c) Color 15, 0 : 0.7 Vp-p
- 2) Input Impedance : 75 Ω
- 3) Video Color : R, G, B Analog
- 4) Signal Format : Refer to the Timing Chart

2-3. Signal Connector

15-pin D-Sub Connector

2-4. Scanning Frequency

Horizontal	: 30 ~ 96kHz
Vertical	: 50 ~ 160Hz

3. POWER SUPPLY

3-1. Power Range

AC 100~240V (Free Voltage), 50/60Hz, 2.0A Max.

3-2. Power Consumption

MODE	H/V SYNC	POWER CONSUMPTION	LED COLOR
NORMAL (ON)	ON/ON	less than 130W	GREEN
STAND-BY	OFF/ON	less than 8W	ORANGE
SUSPEND	ON/OFF	less than 8W	
OFF	OFF/OFF	less than 3W	ORANGE

4. DISPLAY AREA

- 4-1. Active Video Area : 365.8 x 274.3mm(13.78" x 10.31")
- 4-2. Display Color : Full Colors
- 4-3. Display Resolution : 1600 x 1200 / 75Hz
(Non-Interlace)
- 4-4. Video Bandwidth : 203 MHz

5. ENVIRONMENT

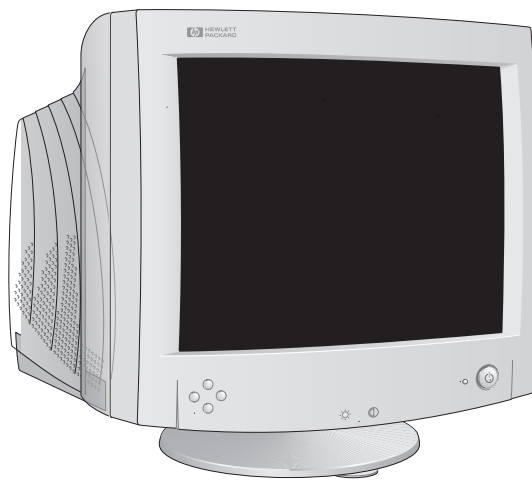
- 5-1. Operating Temperature: 15°C ~ 30°C (Ambient)
- 5-2. Relative Humidity : 8%~ 80%
(Non-condensing)
- 5-3. Altitude : 5,000m

6. DIMENSIONS (with TILT/SWIVEL)

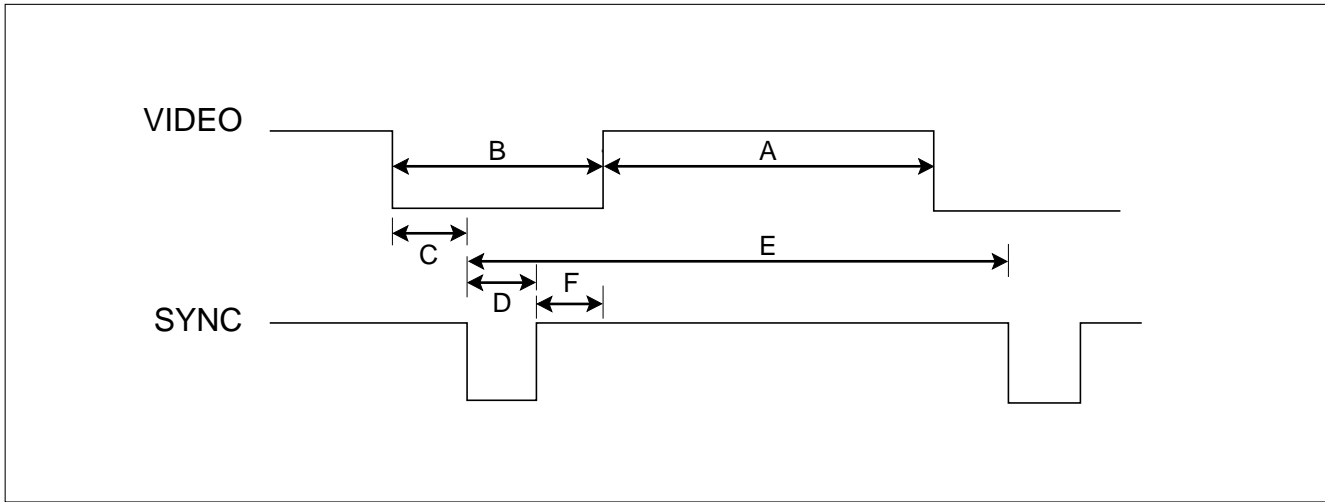
Width	: 458.0 mm (18.03 inch)
Depth	: 479.0 mm (18.86 inch)
Height	: 468.0 mm (18.43 inch)

7. WEIGHT (with TILT/SWIVEL)

Net Weight	: 22.5 kg (49.61 lbs.)
Gross We	: lbs.)

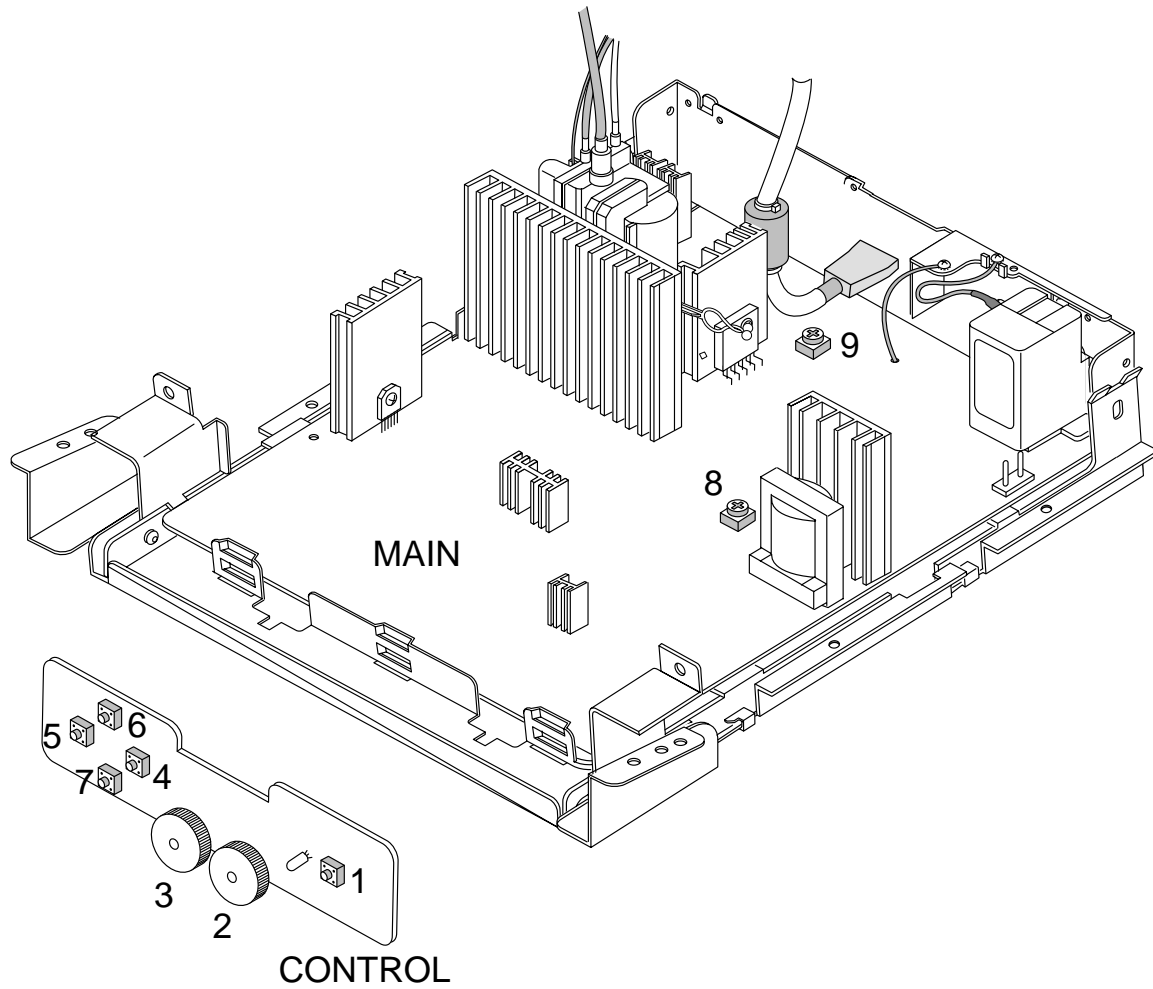


TIMING CHART



MODE		FACTORY PRESET MODE											
		MARK	MODE 1	MODE 2	MODE 3	MODE 4	MODE 5	MODE 6	MODE 7	MODE 8	MODE 9	MODE 10	
H O R I Z O N T A L	Sync Polarity		—	—	—	+	+	+	+	+	+	+	
	Frequency	kHz	31.468	37.500	43.269	46.875	53.674	60.023	68.677	79.976	91.146	93.75	
	Total Period	μs	E	31.778	26.667	23.112	21.333	18.631	16.660	14.561	12.504	10.971	10.667
	Video Active Time	μs	A	25.418	20.317	17.778	16.162	14.222	13.003	10.836	9.481	8.127	7.901
	Blanking Time	μs	B	6.360	6.349	5.333	5.172	4.409	3.657	3.725	3.022	2.844	2.765
	Front Porch	μs	C	0.638	0.508	1.556	0.323	0.569	0.203	0.508	0.119	0.406	0.316
	Sync Duration	μs	D	3.813	2.032	1.556	1.616	1.138	1.219	1.016	1.067	1.016	0.948
	Back Porch	μs	F	1.909	3.810	2.222	3.232	2.702	2.235	2.201	1.837	1.422	1.501
V E R T I C A L	Sync Polarity		+	—	—	+	+	+	+	+	+	+	
	Frequency	Hz		70.090	75.000	85.008	75.000	85.061	75.029	84.997	75.025	85.024	75.000
	Total Period	ms	E	14.268	13.333	11.764	13.333	11.756	13.328	11.765	13.329	11.762	13.333
	Video Active Time	ms	A	12.712	12.800	11.093	12.800	11.179	12.795	11.183	12.804	11.235	12.800
	Blanking Time	ms	B	1.556	0.533	0.670	0.533	0.578	0.533	0.582	0.525	0.527	0.533
	Front Porch	ms	C	0.381	0.027	0.023	0.021	0.019	0.017	0.015	0.013	0.011	0.011
	Sync Duration	ms	D	0.064	0.080	0.069	0.064	0.056	0.050	0.044	0.038	0.033	0.032
	Back Porch	ms	F	1.111	0.427	0.578	0.448	0.503	0.466	0.524	0.475	0.483	0.419
Resolution			640 X 400 70Hz	640 X 480 75Hz	640 X 480 85Hz	800 X 600 75Hz	800 X 600 85Hz	1024 X 768 75Hz	1024 X 768 85Hz	1280 X 1024 75Hz	1280 X 1024 85Hz	1600 X 1200 75Hz	
Recall			Yes	Yes	Yes	Yes	Yes	Yes	Yes	Yes	Yes	Yes	

CONTROL LOCATIONS

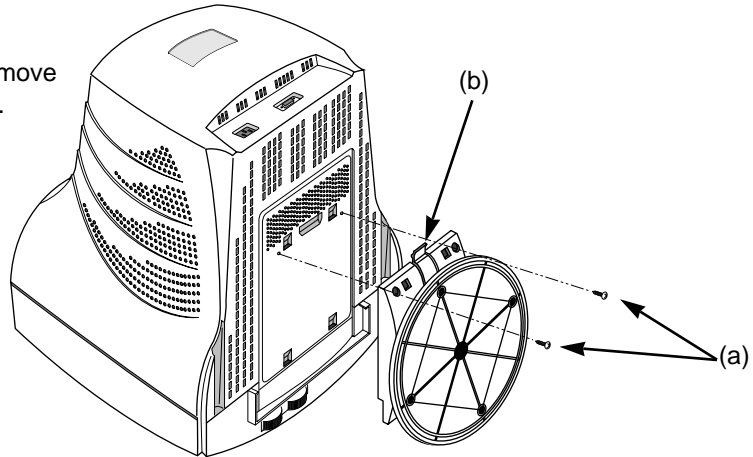


No.	Ref. No.	Control Function	No.	Ref. No.	Control Function
1	SW201	POWER BUTTON	6	SW202	OSD BUTTON
2	VR202	CONTRAST ADJUSTMENT	7	SW203	OSD EXIT BUTTON
3	VR201	BRIGHTNESS ADJUSTMENT	8	VR901	B ⁺ ADJUSTMENT
4	SW205	OSD SELECT/ADJUSTMENT RIGHT	9	VR701	HIGH-VOLTAGE ADJUSTMENT
5	SW204	OSD SELECT/ADJUSTMENT LEFT			

DISASSEMBLY

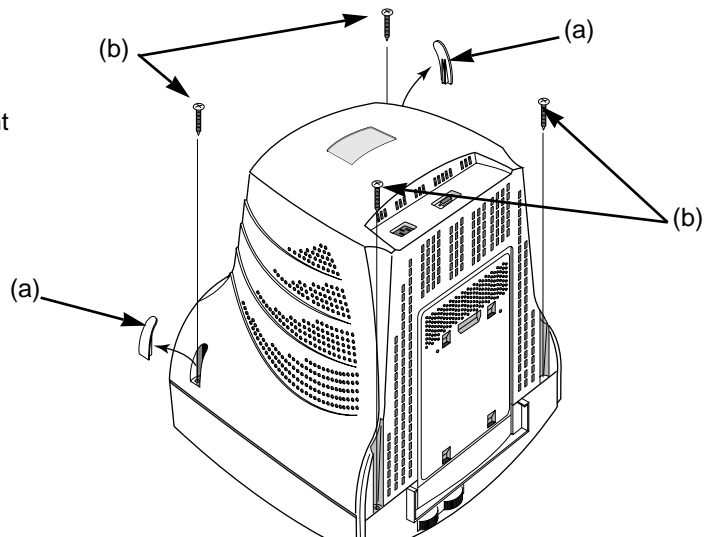
1. TILT/SWIVEL REMOVAL

- 1) Set the monitor face downward.
- 2) Remove two screws (a).
- 3) Pressing the latch (b), carefully remove the Tilt/Swivel by pulling it upward.



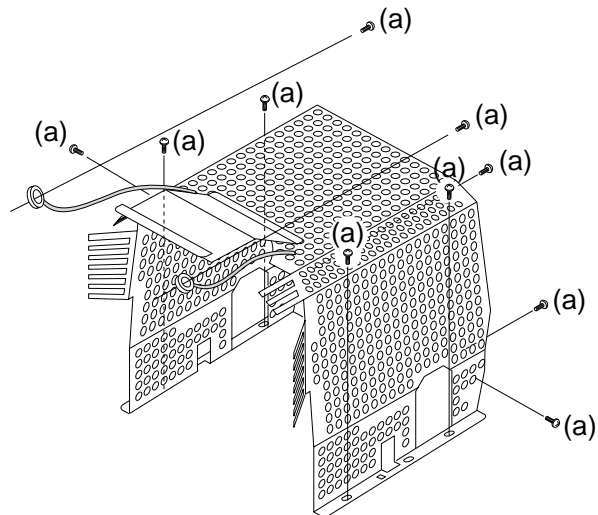
2. BACK COVER REMOVAL

- 1) Remove two screw caps (a).
- 2) Remove four screws (b).
- 3) Slide the Back Cover away from the Front Cabinet of the monitor.



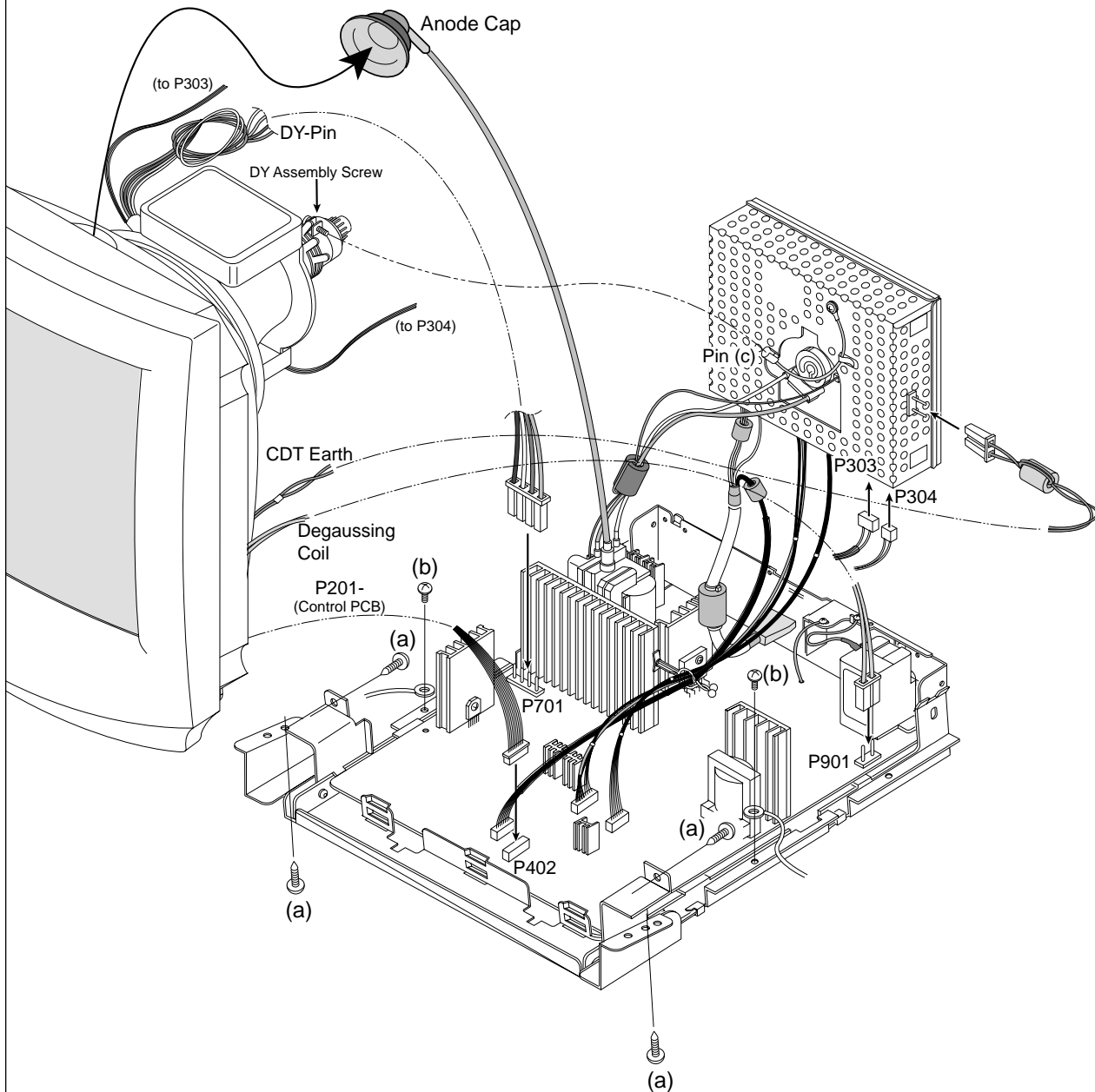
3. TOP SHIELD REMOVAL

- 1) Remove ten screws (a).



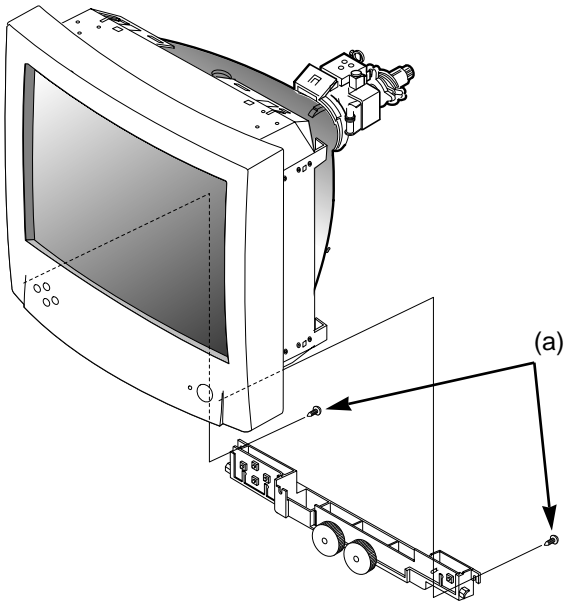
4. TOTAL CHASSIS ASSEMBLY REMOVAL

- 1) Disconnect P901 (Degaussing pin), P701 (DY pin) and P402 from the Main PCB.
- 2) Disconnect CDT Earth Pin, P303, P304 from the Video PCB.
- 3) Disconnect Pin (c) from the DY Assembly screw.
- 4) Carefully separate the CDT Board Assembly from the CDT neck.
- 5) Discharge the remaining static electricity by shorting between the Anode Cap and the CDT ground.
- 6) Disconnect the Anode Cap from the CDT.
- 7) Remove four screws (a).
- 8) Remove two screws (b).
- 9) Remove the Front Cabinet and the Total Chassis Assembly from the Main Bracket.



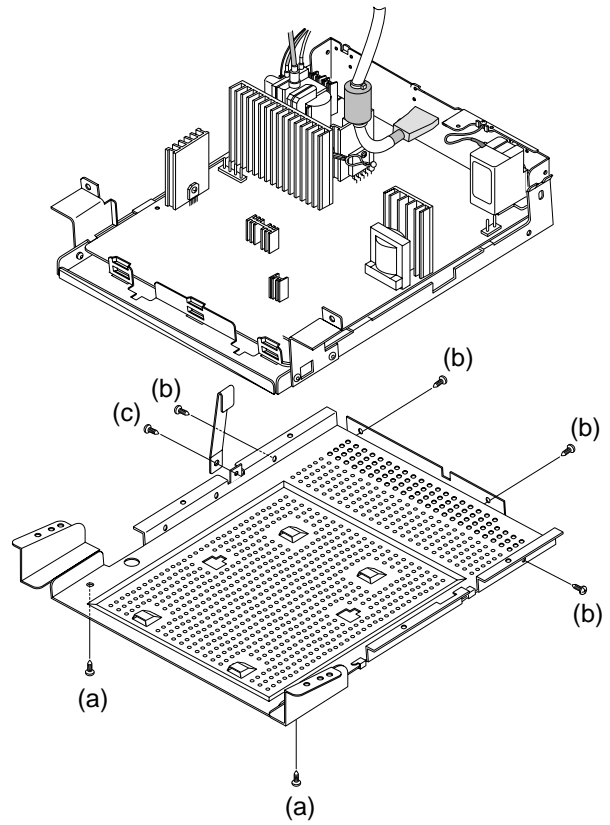
6. CONTROL PCB ASSEMBLY REMOVAL

- 1) Remove two screws (a).
- 2) Remove the Control PCB Assembly from the Front Cabinet.



7. BOTTOM BRACKET REMOVAL

- 1) Remove two screws (a).
- 2) Remove four screws (b).
- 3) Remove screw (c) and Metal Fix.
- 4) Remove the Bottom Bracket.



ADJUSTMENT

GENERAL INFORMATION

All adjustment are thoroughly checked and corrected when the monitor leaves the factory, but sometimes several adjustments may be required.

Adjustment should be following procedure and after warming up for a minimum of 30 minutes.

- Alignment appliances and tools.
 - IBM compatible PC.
 - Programmable Signal Generator.
(eg. VG-819 made by Astrodesign Co.)
 - EPROM or EEPROM with saved each mode data.
 - Alignment Adaptor and Software.
 - Digital Voltmeter.
 - White Balance Meter.
 - Luminance Meter.
 - High-voltage Meter.

AUTOMATIC AND MANUAL DEGAUSSING

The degaussing coil is mounted around the CDT so that automatic degaussing when turn on the monitor. But a monitor is moved or faced in a different direction, become poor color purity cause of CDT magnetized, then press \mathcal{A} (DEGAUSSING) on the OSD menu.

ADJUSTMENT PROCEDURE & METHOD

- Install the cable for adjustment such as Figure 1 and run the alignment program on the DOS for IBM compatible PC.
- Set external Brightness and Contrast volume to max position.

1. Adjustment for B⁺ Voltage.

- 1) Display cross hatch pattern at Mode 9.
- 2) Adjust C913 (+) voltage to 190V \pm 0.5V with **VR901**.

2. Adjustment for High-Voltage.

- 1) Display cross hatch pattern at Mode 9.
- 2) Adjust CDT Anode voltage to 26kV \pm 0.2kV with **VR701**.

3. Entire Adjustment

Caution: This adjustment will lose existing data of Preset Mode.

3-A) Adjustment for Factory Mode (Preset Mode)

- 1) Display cross hatch pattern at Mode 9.
- 2) Run alignment program for CS990C on the IBM compatible PC.
- 3) EEPROM \rightarrow ALL CLEAR \rightarrow Y(Yes) command.
- 4) COMMAND \rightarrow PRESET START \rightarrow Y(Yes) command.
- 5) DIST. ADJ. \rightarrow BALANCE command.
- 6) Adjust tilt as arrow keys to be the best condition.

- 7) Adjust balance of side-pincushion as arrow keys to be the best condition.
- 8) Adjust parallelogram as arrow keys to be the best condition.
- 9) DIST. ADJ. \rightarrow FOS1. ADJ command.
- 10) Adjust H-POSITION as arrow keys to center of the screen.
- 11) Adjust H-SIZE as arrow keys to 350 \pm 2mm.
- 12) Adjust V-POSITION as arrow keys to center of the screen.
- 13) Adjust V-SIZE as arrow keys to 262 \pm 2mm.
- 14) DIST. ADJ. \rightarrow FOS2. ADJ command.
- 15) Adjust SIDE-PIN (Side-Pincushion) as arrow keys to be the best condition.
- 16) Adjust TRAPEZOID as arrow keys to be the best condition.
- 19) Display from Mode 2 to Mode 10 and repeat above from number 9) to 16).
- 20) COMMAND \rightarrow PRESET EXIT \rightarrow Y (Yes) command.

3-B) Adjustment for White Balance and Luminance

- 1) Set the White Balance Meter.
- 2) Press the \mathcal{A} (DEGAUSSING) on the OSD menu for demagnetization of the CDT.
- 3) Display color 0,0 pattern at Mode 9.
- 4) COLOR ADJ. \rightarrow LUMINANCE command of the alignment program.
- 5) Set OSD Bright and Contrast data to max data.
- 6) COLOR ADJ. \rightarrow BIAS ADJ. command of the alignment program.
- 7) Check whether blue color or not at R-BIAS and G-BIAS to min position and B-BIAS to 130 (decimal) position. If it's not blue color, the monitor must repair.
- 8) Adjust Screen control on the FBT to 0.1 \pm 0.02FL of the raster luminance.
- 9) Adjust R-BIAS and G-BIAS command to $x=0.283 \pm 0.006$ and $y=0.298 \pm 0.006$ on the White Balance Meter with PC arrow keys.
- 10) Adjust SUB-Brightness command to 0.45 \pm 0.05FL of the raster luminance.
- 11) Display color 15,0 box pattern(70x70mm) at Mode 9.
- 12) Set Bright and Contrast to max.
- 13) DRIVE ADJ command.
- 14) Set B-DRIVE to 100(decimal) at DRIVE of the alignment program.
- 15) Adjust R-DRIVE and G-DRIVE command to white balance $x=0.283 \pm 0.003$ and $y=0.298 \pm 0.003$ on the White Balance Meter with PC arrow keys.
- 16) Adjust SUB-CONTRAST command to 47 \pm 1FL of the color 15,0 box pattern (70x70mm) luminance at Mode 9.
- 17) Display color 15,0 full white patten at Mode 9.
- 18) COLOR ADJ. \rightarrow LUMINANCE \rightarrow ABL command.
- 19) Adjust ABL to 34.5 \pm 1FL of the luminance.
- 20) Exit from the program.

4. Partial Adjustment

Note: This adjustment will change only adjusting data.

4-A) Adjustment for Factory Mode (Preset Mode)

- 1) Display OSD menu.
- 2) ST switch of adapter OFF → ST switch of adapter ON.
- 3) Check “ ” at left bottom in the OSD display.
- 4) Adjust H/V Size, H/V Position, Geometry.

Refer to SPEC. in 3-A) Adjustment for Factor Mode (Preset Mode)

- 5) Monitor Power OFF → Monitor Power ON; Save

4-B) Adjustment for White Balance and Luminance

- 1) Display OSD menu.
- 2) ST switch of adapter OFF → ST switch of adapter ON.

- 3) Check “ ” at left bottom in the OSD display.

- 4) Run the degauss of OSD.

- 5) Adjust data of R/G/B-Bias, R/G/B-Drive, SUB-Bri., Sub-Con. and ABL.

Refer to SPEC. 3-B) Adjustment for White Balance and Luminance

- 6) Monitor Power OFF → Monitor Power ON; Save

5. Adjustment for Focus.

- 1) Set the Brightness and Contrast to max.
- 2) Display H character in full screen at Mode 9.
- 3) Adjust two Focus control on the FBT that focus should be the best condition.

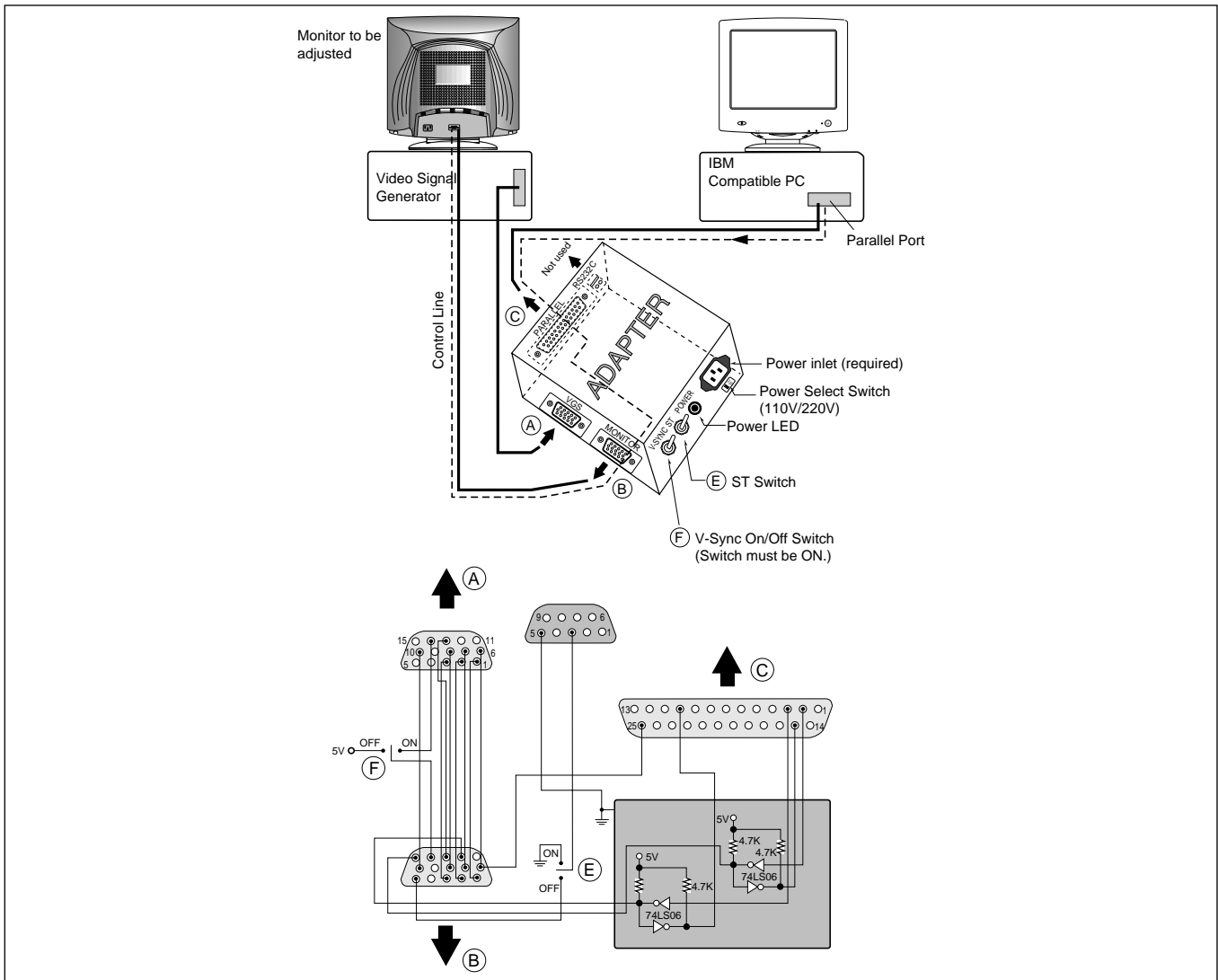
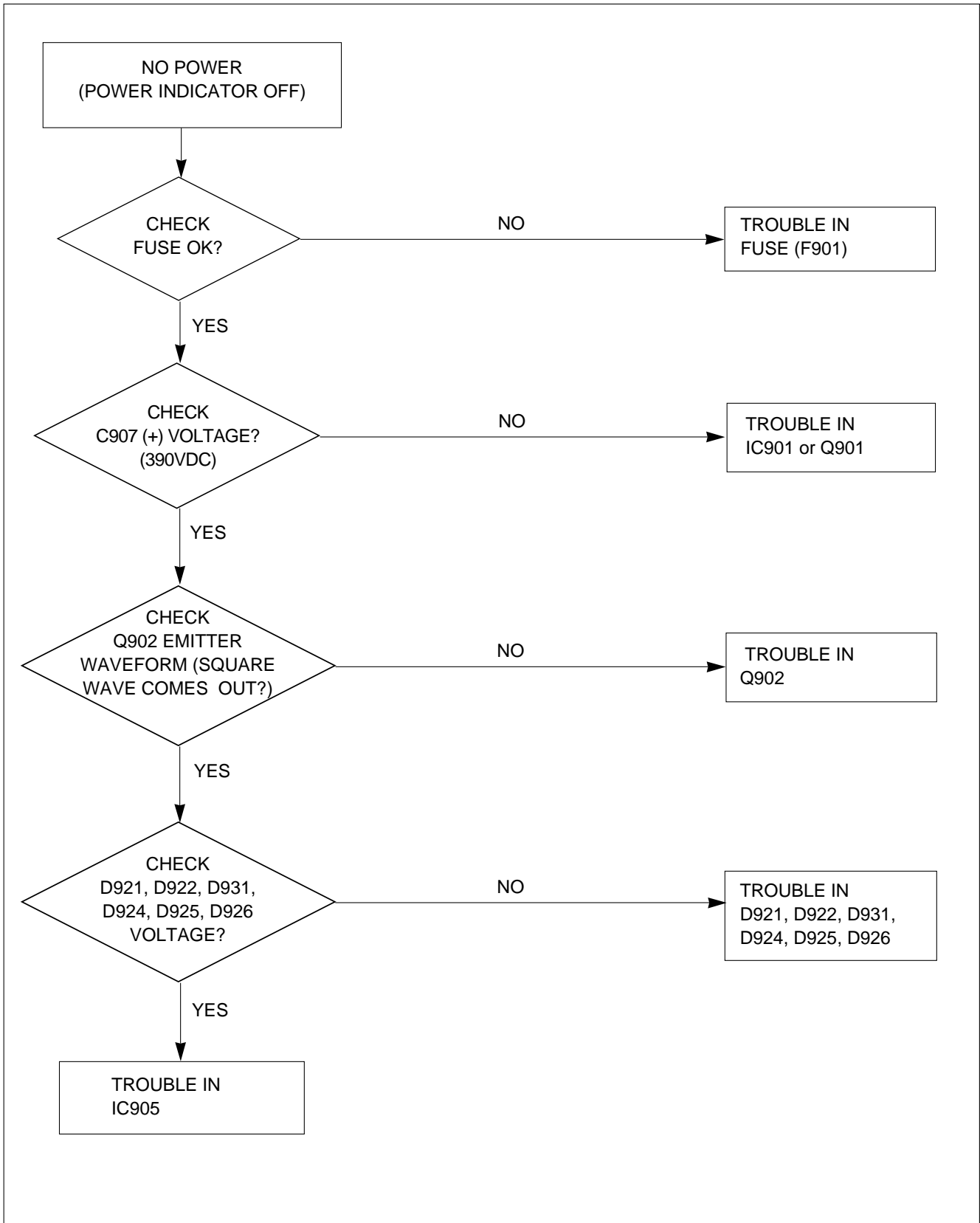


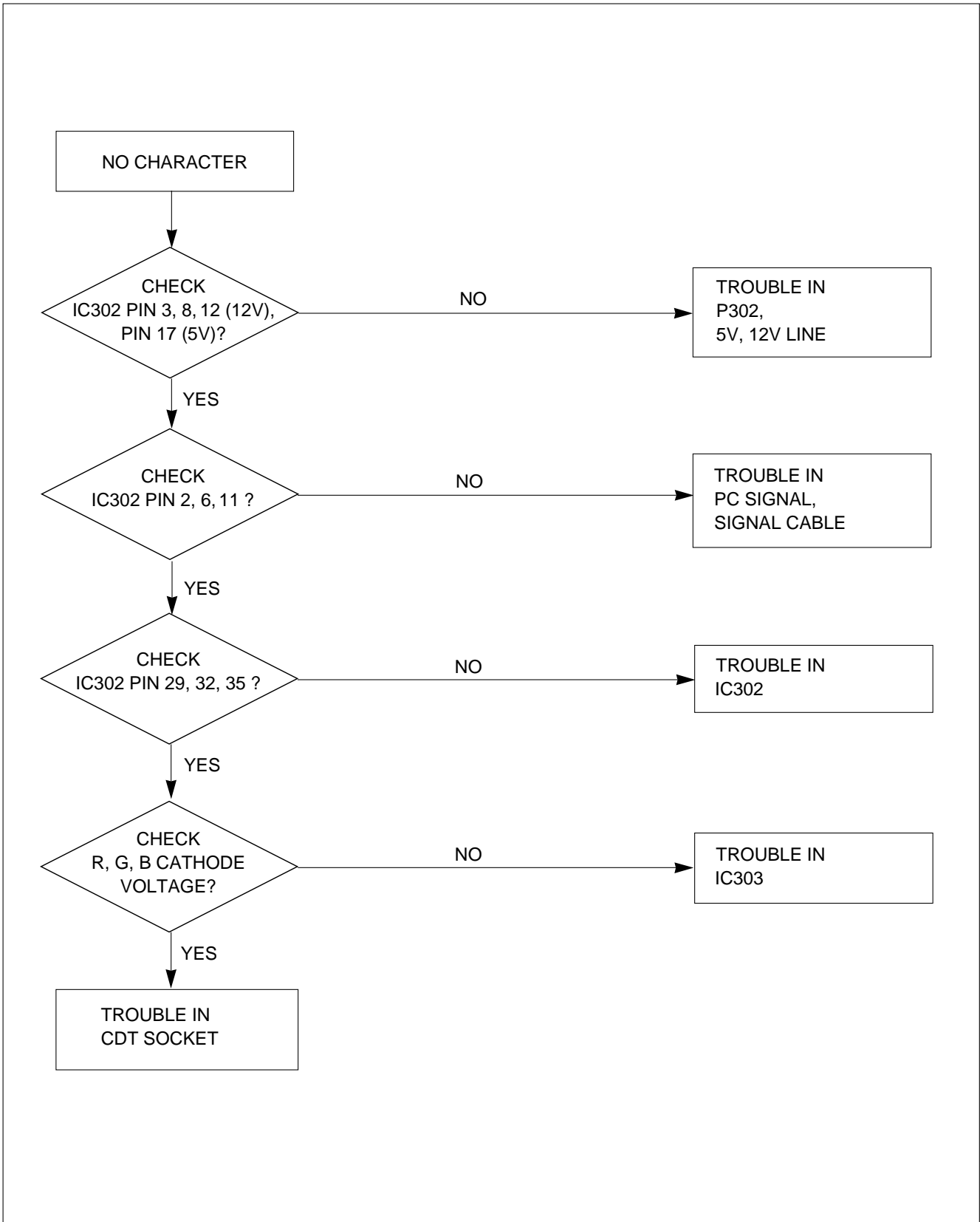
Figure 1. Cable Connection

TROUBLESHOOTING GUIDE

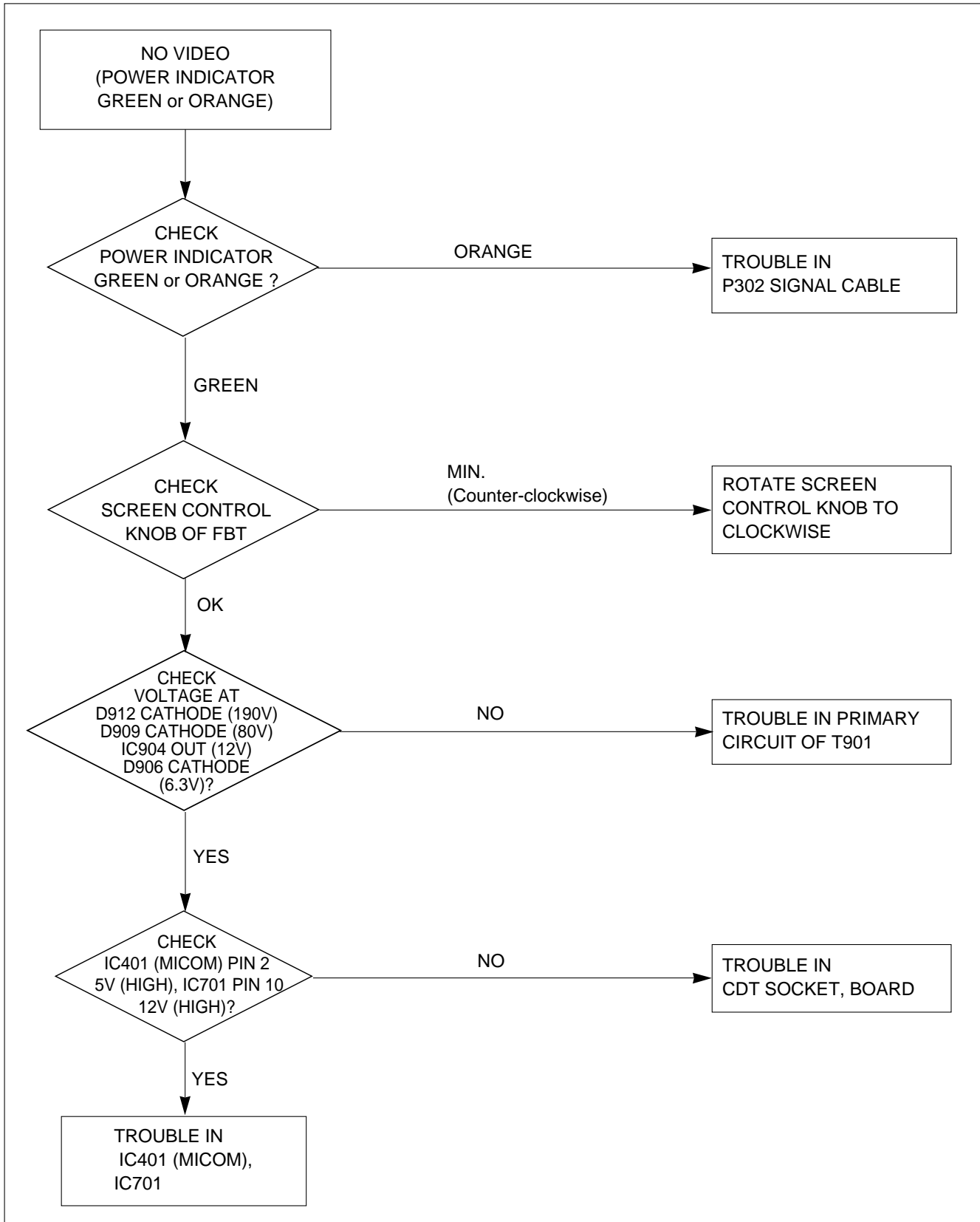
1. NO POWER



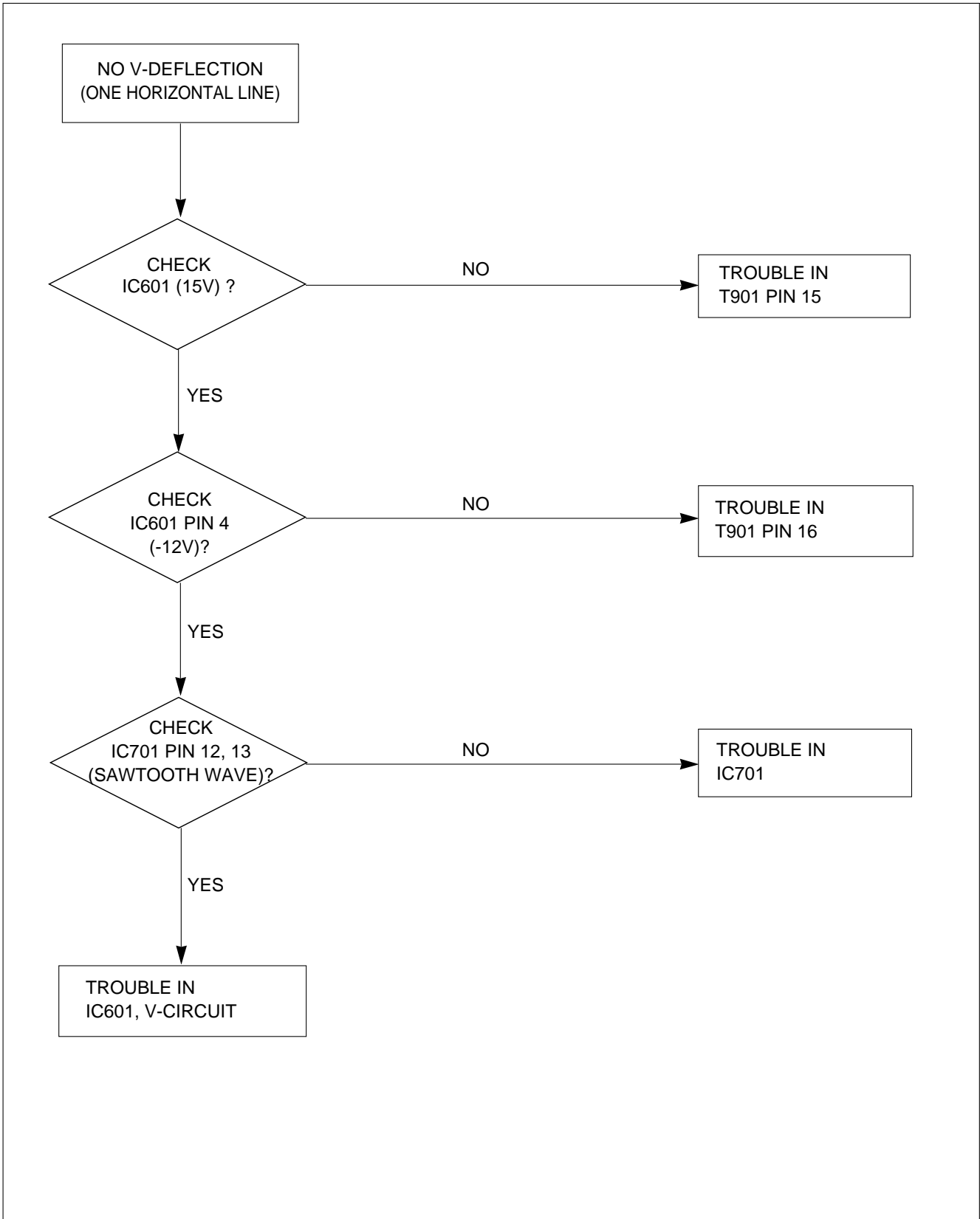
2. NO CHARACTER



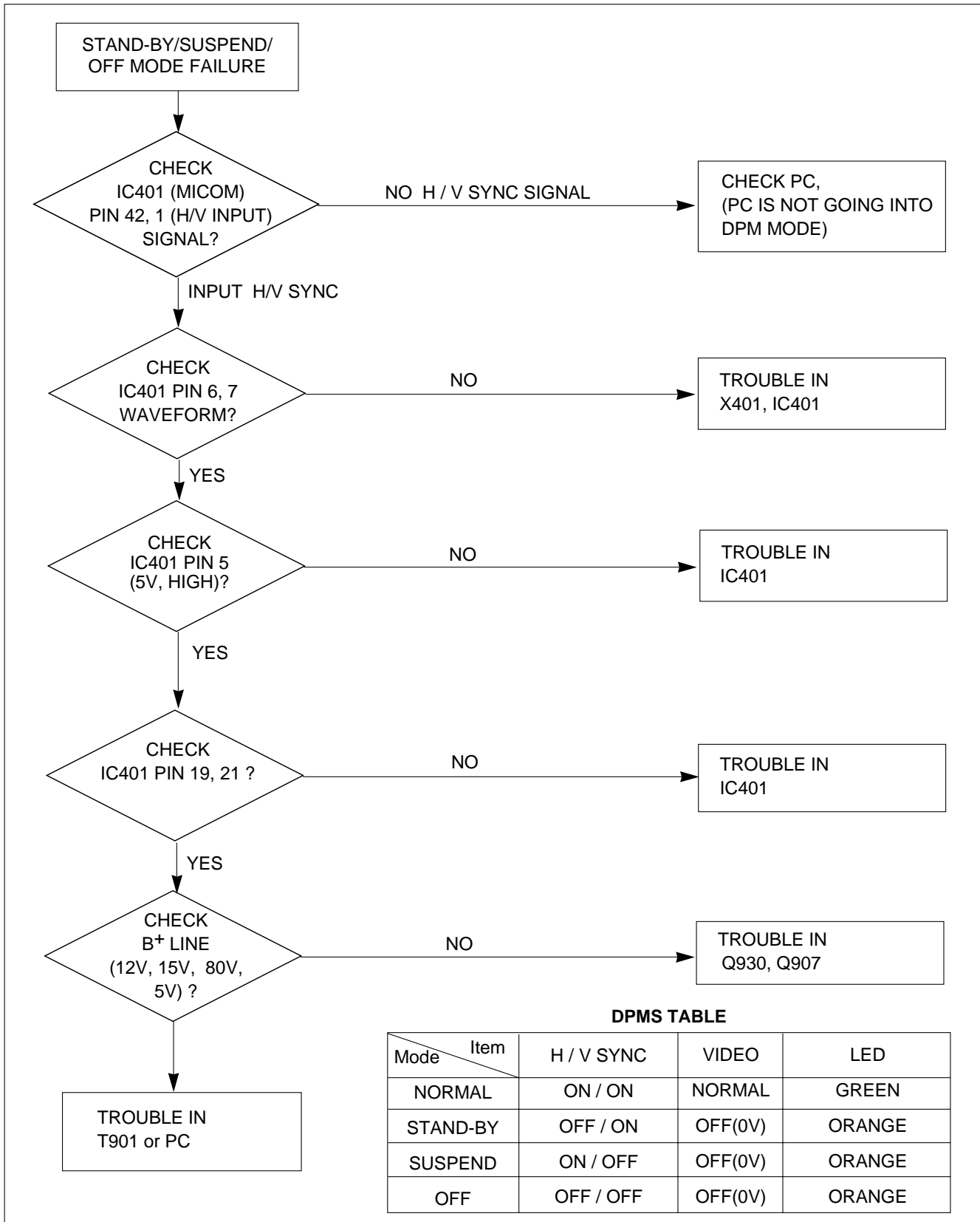
3. NO RASTER



4. NO VERTICAL DEFLECTION



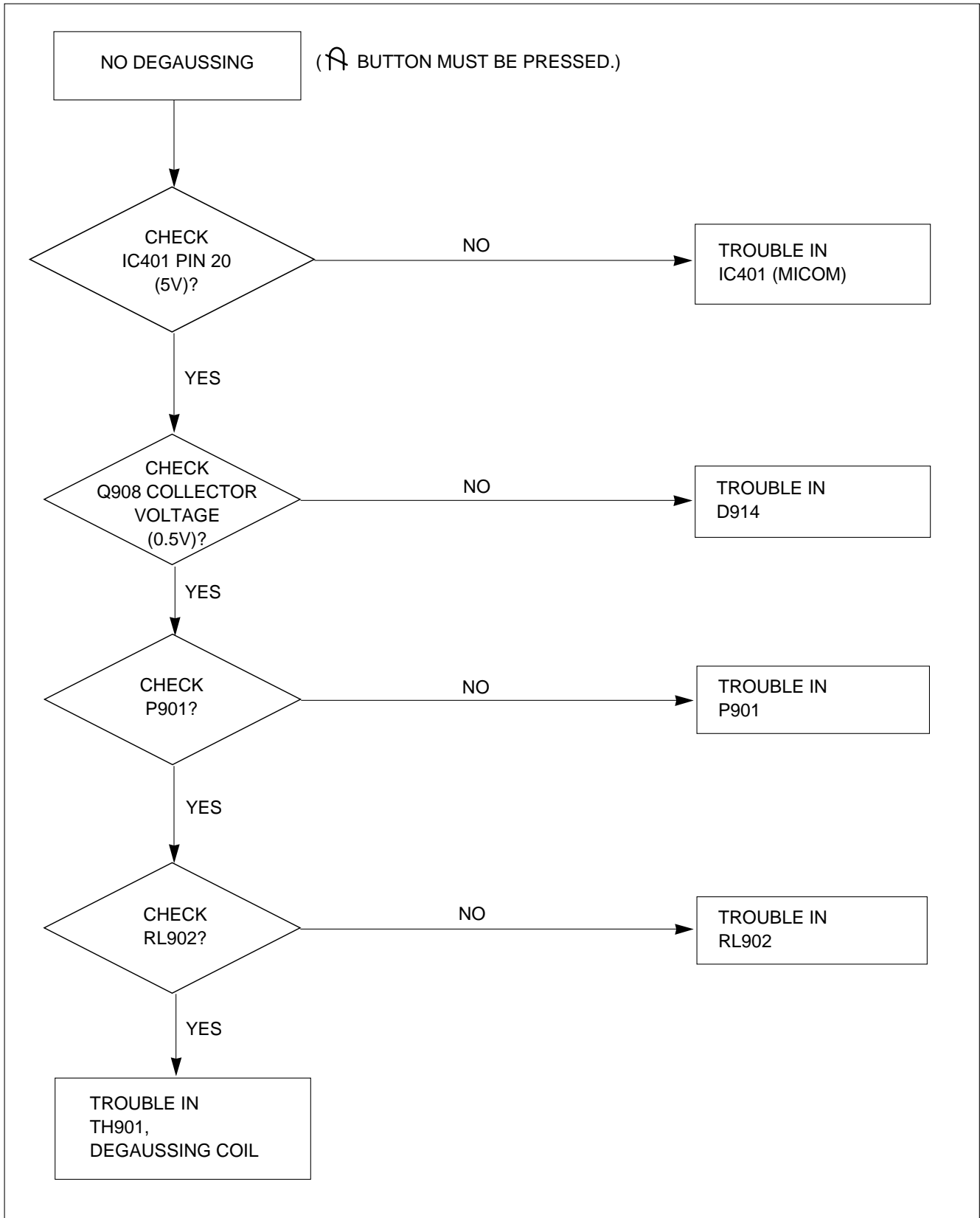
5. TROUBLE IN DPM



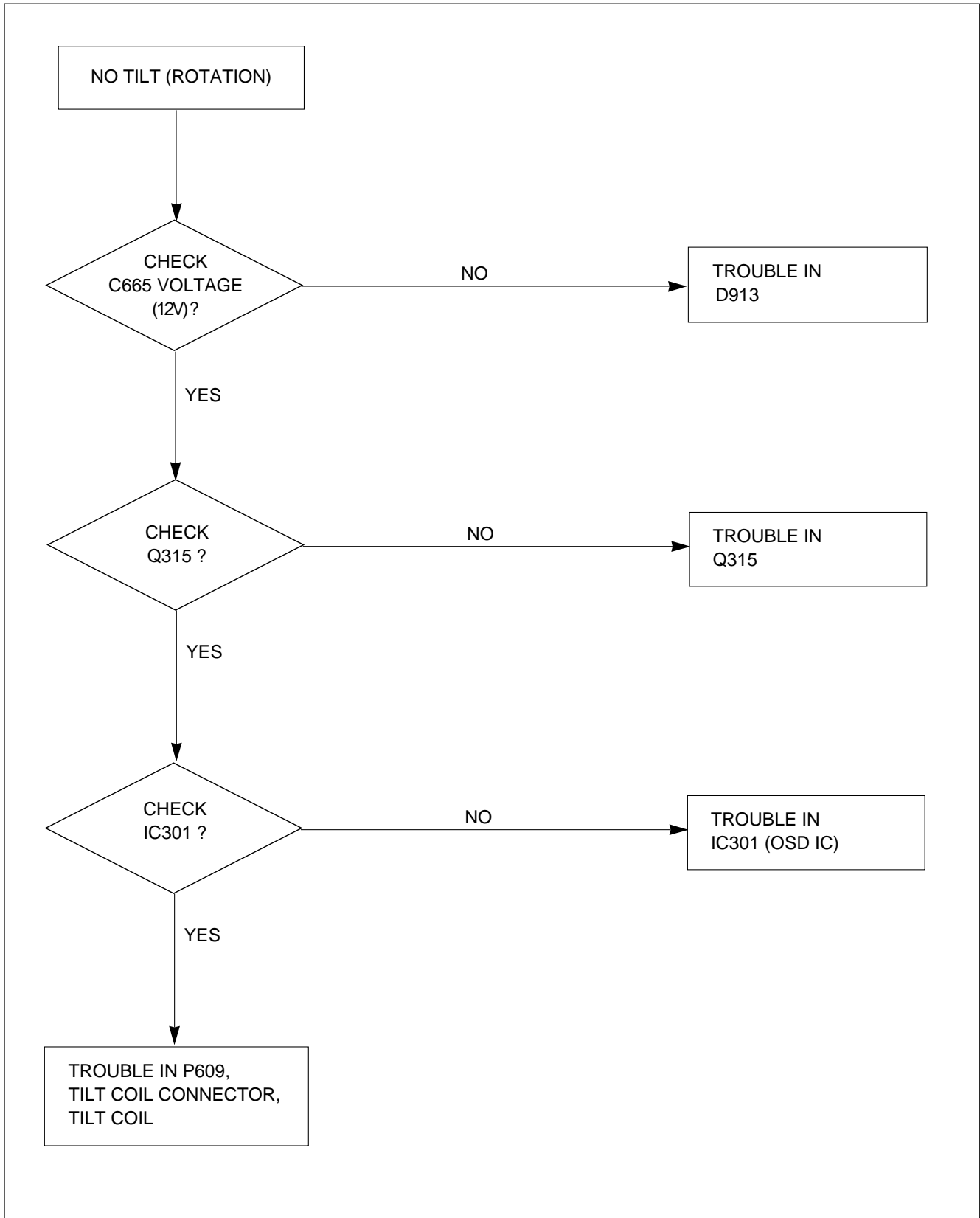
DPMS TABLE

Mode \ Item	H / V SYNC	VIDEO	LED
NORMAL	ON / ON	NORMAL	GREEN
STAND-BY	OFF / ON	OFF(0V)	ORANGE
SUSPEND	ON / OFF	OFF(0V)	ORANGE
OFF	OFF / OFF	OFF(0V)	ORANGE

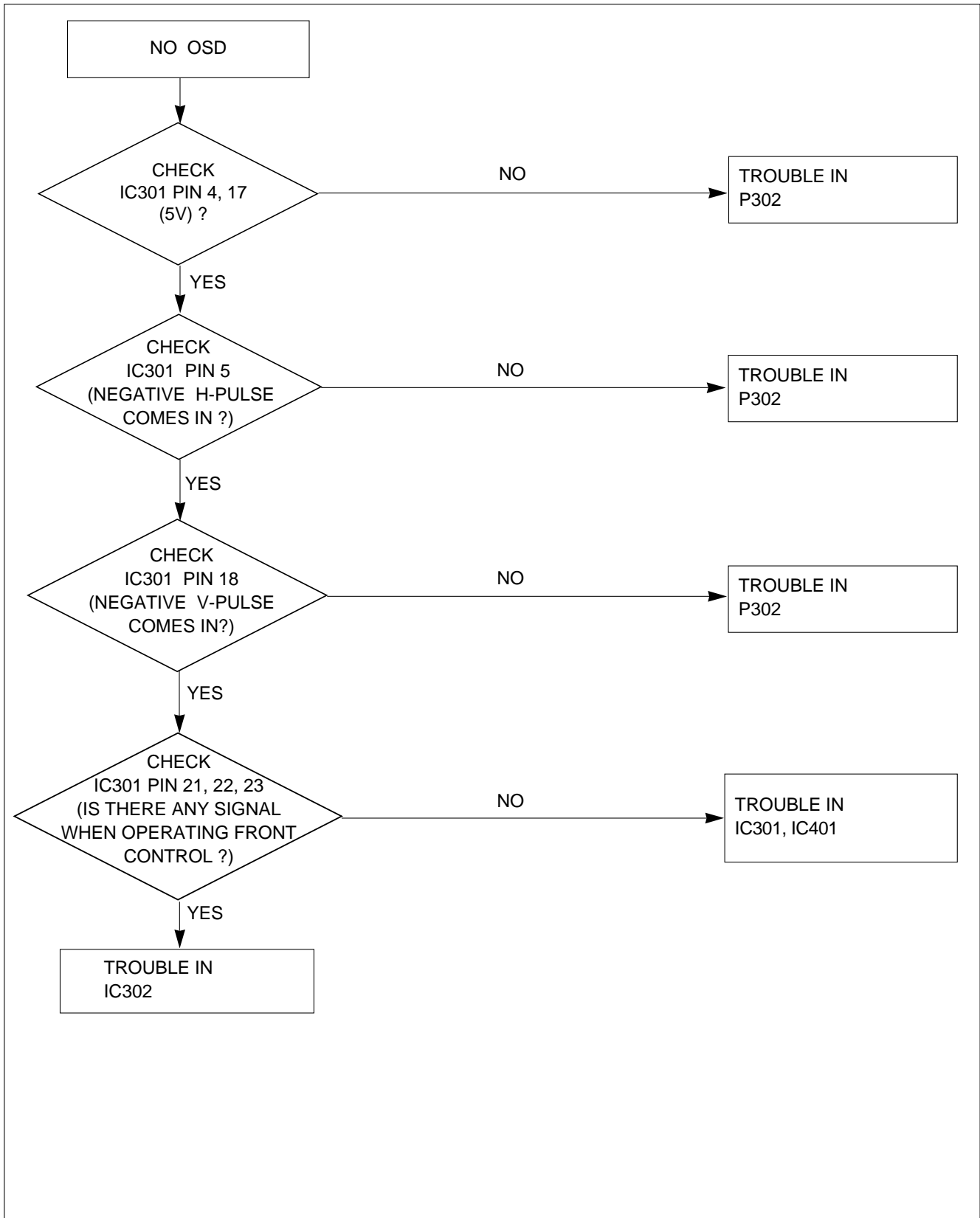
6. NO DEGAUSSING



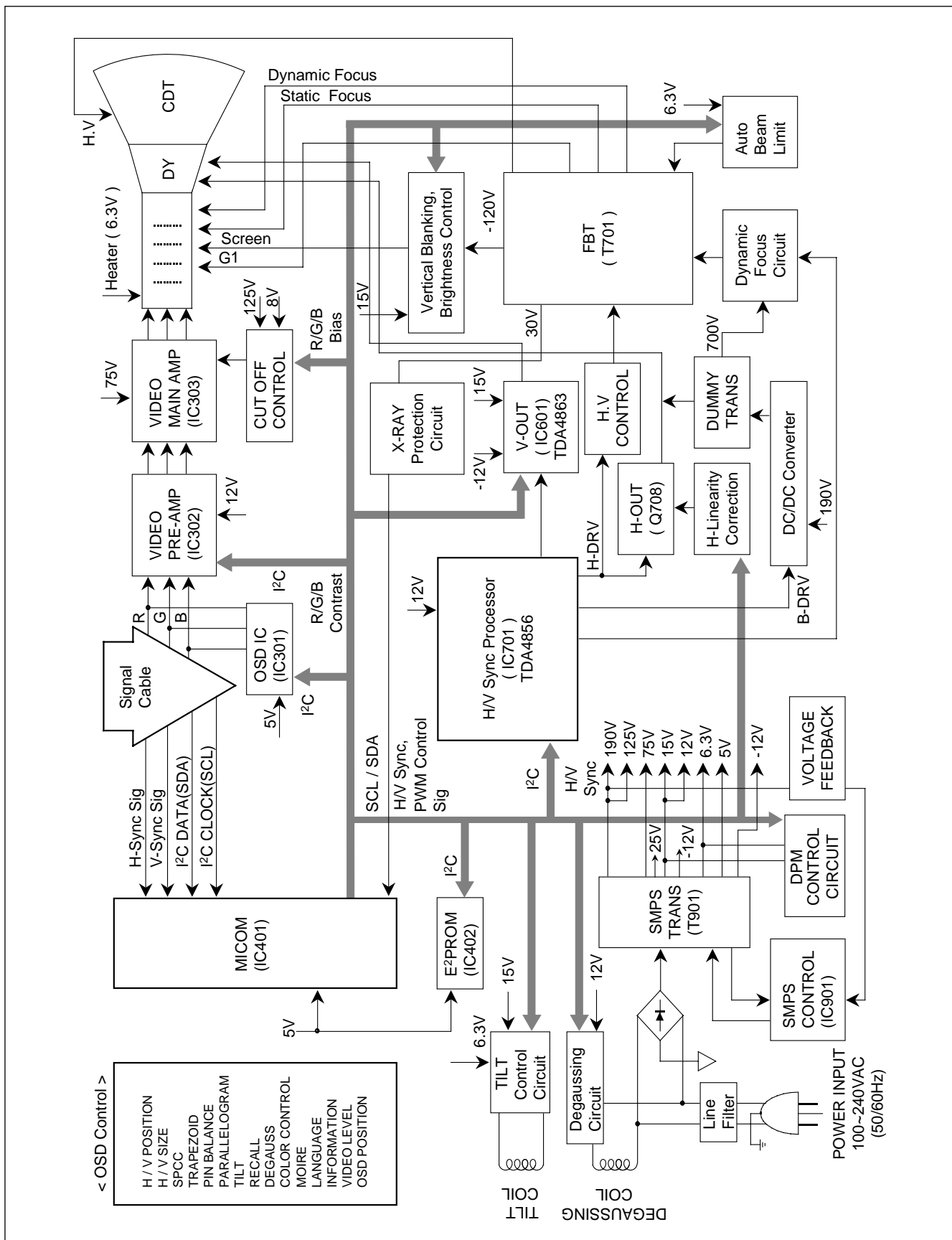
7. NO TILT (ROTATION)



8. TROUBLE IN OSD



BLOCK DIAGRAM



DESCRIPTION OF BLOCK DIAGRAM

1. Line Filter & Associated Circuit.

This is used for suppressing noise of power input line flowing into the monitor and/or some noise generated in this monitor flowing out through the power input line. That is to say, this circuit prevents interference between the monitor and other electric appliances.

2. Degauss Circuit & Coil.

The degauss circuit consists of the degaussing coil, the PTC (Positive Temperature Coefficient) thermistor (TH901), and the relay (RL901). This circuit eliminates abnormal color of the screen automatically by degaussing the slot mask in the CDT when turn on the power switch.

When you need to degauss while using the monitor, select DEGAUSS on the OSD menu.

3. SMPS (Switching Mode Power Supply).

This circuit works with power of 110-240Vac (50/60Hz).

The operation procedure is as follows:

- 1) AC input voltage is rectified and smoothed by the bridge diode (D901) and the capacitor (C907).
- 2) The rectified voltage (DC voltage) is applied to the primary coil of the transformer (T901).
- 3) The control IC (IC901) generates switching pulse to turn on and off the primary coil of the transformer (T901) repeatedly.
- 4) Depending on the turn ratio of the transformer, the secondary voltages appear at the secondary coil of the transformer (T901).
- 5) These secondary voltages are rectified by each diode (D906, D907, D908, D909, D910, D911, D912, D913) and operate the other circuits. (Deflection, Video Amplifier, etc.)

4. Display Power Management Circuit.

This circuit control power consumption of the monitor by detecting H and V sync signal. There are stand-by and suspend mode. When no horizontal or vertical sync signal input, the circuit consists of Q930 and Q907 becomes stand-by and suspend mode. It's power consumption is below 8W. When no horizontal and vertical sync signal input, it's power consumption is below 3W.

5. X-ray Protection.

This circuit detects the rectified DC voltage comes from the FBT pin 4. If the high voltage of the FBT reaches up to about 30kV (abnormal state), Micom(IC401) detects. It stops B⁺ voltage supplied to the FBT (T701), and high voltage is not be generated, (In the normal state, the high voltage is about 26kV.)

6. Micom(Microprocessor) Circuit.

The operating procedure of Micom (Microprocessor) and its associated circuit is as follows:

- 1) H and V sync signal is supplied from Signal Cable to the Micom (IC401).
- 2) The Micom (IC401) distinguishes polarity and frequency of HandV sync.
- 3) The Micom controls each OSD function signals. (H-size, H-position, V-size, etc.)
- 4) The controlled data of each mode is stored in IC402. User can adjust screen condition by each OSD function. The data of the adjust screen condition is stored automatically.

7. Horizontal and Vertical Synchronous Processor.

This circuit generates the horizontal drive pulse and the vertical drive pulse by taking sync-signal from Signal Cable. This circuit consists of the TDA4856(IC701) and the associated circuit.

8. Oscillating Circuit for D/D Converter.

This circuit generates the pulse wave which has the horizontal period by taking the output of the TDA4856 (IC701).

9. D/D (DC to DC) Converter.

This circuit supplies DC voltage to the horizontal deflection output circuit by decreasing DC 190V which is the secondary voltage of the SMPS in accordance with the input horizontal sync signal.

10. Side-Pincushion Correcting Circuit.

This circuit improves the Side-pincushion of the screen by mixing east-west wave to the output of the horizontal deflection D/D converter which is used for the supply voltage source (B⁺) of the deflection circuit.

11. D/D Drive & Convert Circuit.

This circuit is used for supplying B⁺ voltage to horizontal deflection output transistor (Q709). This circuit makes to add side-pincushion correcting signal to B⁺ voltage.

12. Horizontal Deflection Output Circuit.

This circuit makes the horizontal deflection by supplying the saw-tooth current to the horizontal deflection yoke.

13. High Voltage Output & FBT (Flyback Transformer).

The high voltage output circuit is used for generating pulse wave to the primary coil of the FBT (Flyback Transformer (T701)). A boosted voltage (about 26kV) appears at the secondary of the FBT and it is supplied to the anode of the CDT.

And there are another output voltages such as the dynamic focus voltage.

14. H-Linearity Correction Circuit.

This circuit corrects the horizontal linearity for each horizontal sync frequency.

15. Vertical Output Circuit.

This circuit takes the vertical wave from the TDA4856 (IC701) and performs the vertical deflection by supplying the saw-tooth wave current from the TDA4863A (IC601) to the vertical deflection yoke.

17. Dynamic Focus Output Circuit.

This circuit takes H and V parabola wave from the TDA4856 (IC701), and amplifies these waves to offer to the FBT (T701).

18. H & V Blanking and Brightness Control.

This circuit eliminates the retrace line by supplying a negative pulse to the G1 of the CDT. The brightness control circuit is used to control of the screen brightness by changing the DC level of G1.

19. Image Rotation (Tilt) Circuit.

This circuit corrects the tilt of the screen by supplying the image rotation signal to the tilt coil which is attached to the CDT near the deflection.

20. Static Convergence Control Circuit.

This circuit corrects the convergence of the screen by supplying the convergence signal to the 4H (STC) coil which is attached to the CDT near the deflection.

21. Moiré Reduction Circuit

This circuit reduce interference between the periodical display pattern and the CDT's slot (or dot).

The positions of every other one dot video signal beams (red, green, and blue beam) are shifted finely, thus reducing interference.

22. OSD Circuit.

This circuit is used for performing the OSD (On-Screen- Display) function.

When a user selects the OSD Select/Adjustment control, the adjustment status displays on the screen.

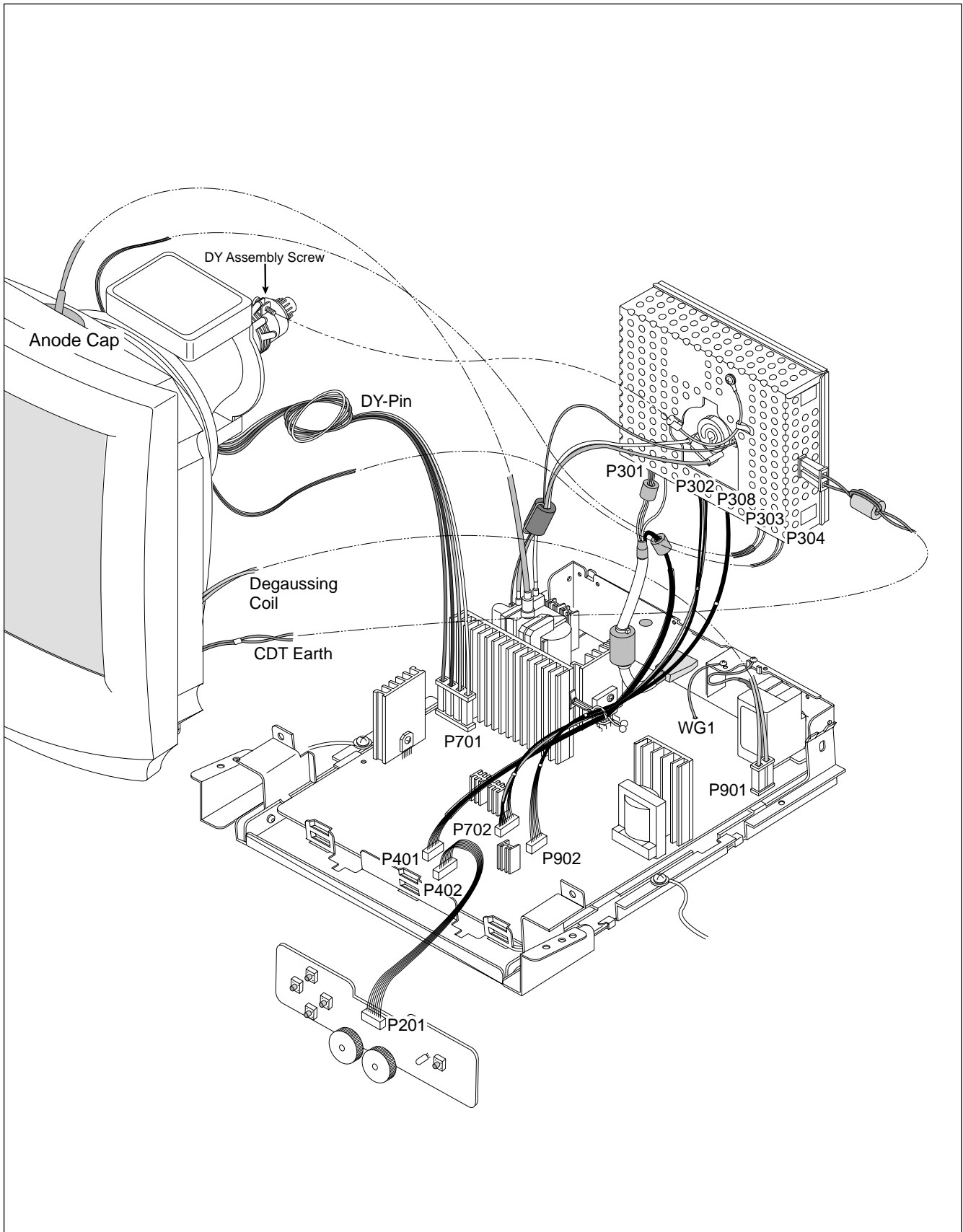
23. Video Pre-Amp Circuit.

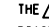

This circuit amplifies the analog video signal from 0-0.7V to 0-4V. This circuit is operated by taking the clamp, R, G, B drives, and contrast signals from the Micom (IC401).

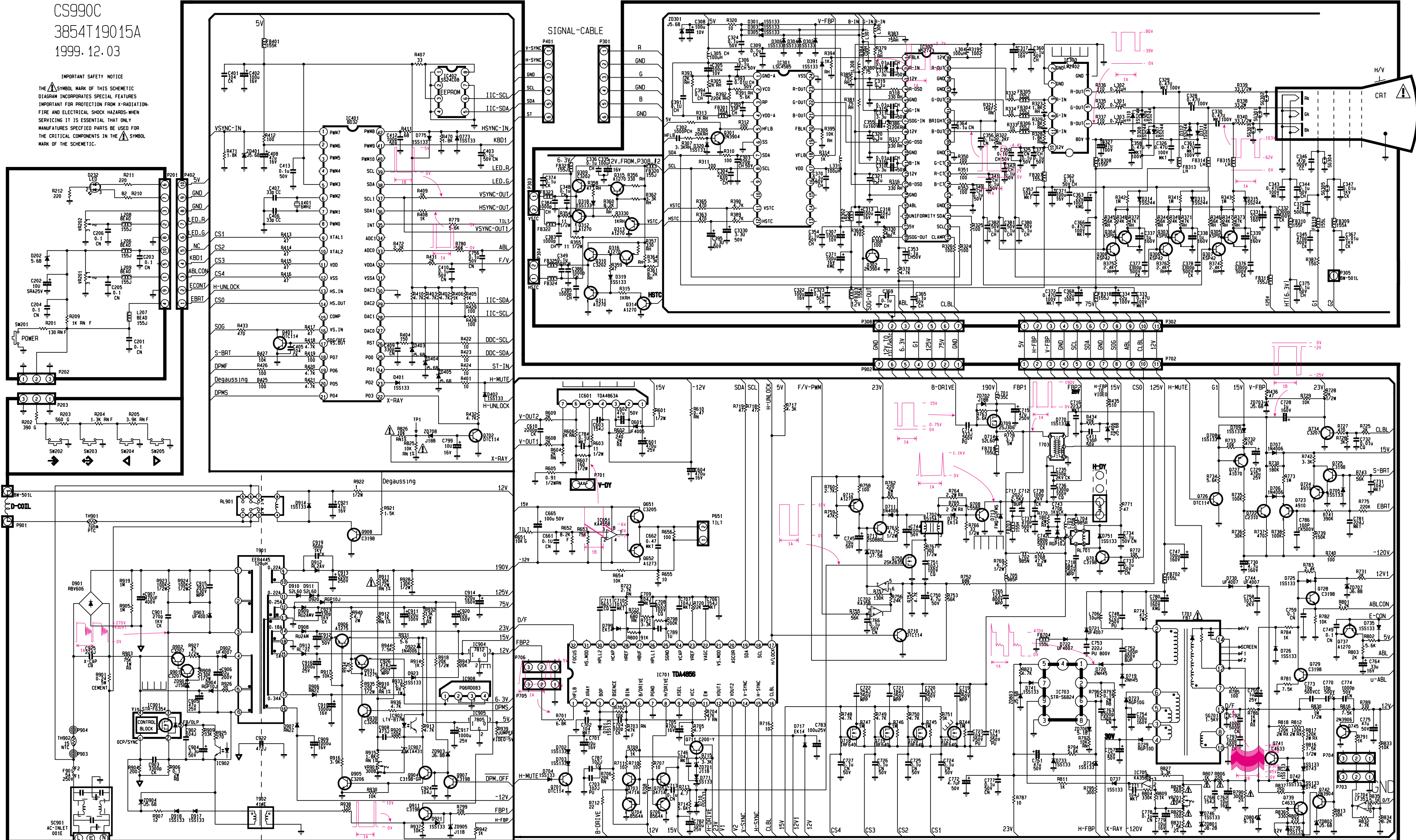
24. Video Output Amp Circuit.

This circuit amplifies the video signal which comes from the video pre-amp circuit and amplified video signal is applied to the CDT cathode.

WIRING DIAGRAM

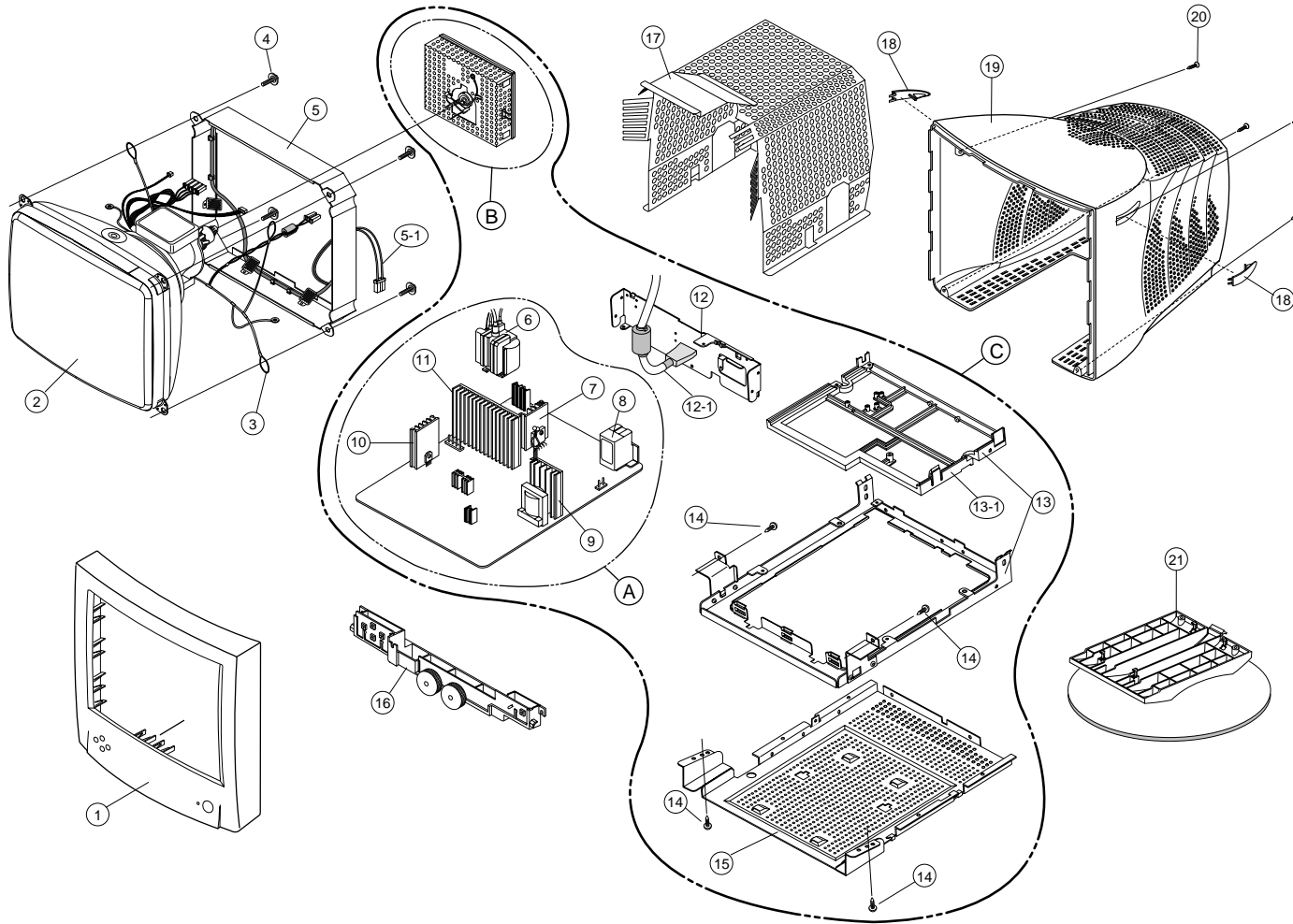


IMPORTANT SAFETY NOTICE
THE  SYMBOL MARK OF THIS SCHEMATIC DIAGRAM INCORPORATES SPECIAL FEATURES IMPORTANT FOR PROTECTION FROM X-RADIATION, FIRE AND ELECTRICAL SHOCK HAZARDS. WHEN SERVICING IT IS ESSENTIAL THAT ONLY MANUFACTURERS SPECIFIED PARTS BE USED FOR THE CRITICAL COMPONENTS IN THE  SYMBOL MARK OF THE SCHEMATIC.



NOTICE
Since this is a basic schematic diagram, the value of components and some partial connection are subject to be changed for improvement without notice.

EXPLODED VIEW



EXPLODED VIEW PARTS LIST

Ref. No.	Part No.	Description	Q'ty	Material
1	3091TKC020W	CABINET ASSY	1	LUPOY-IC56A
2	2423GG2E91R	CDT, M46QGC903X02NPLD for Northern Hemisphere	1	
	2423GG2E91V	CDT, M46QGC903X02SPLD for Southern Hemisphere		
3	6868T19001C	CDT EARTH	1	
4	339-002H	SCREW ASS'Y, PHP+5x20+GW18	4	
5	4951TKS045C	METAL FRAME ASS'Y	1	
5-1	6140TC2006A	DEGAUSSING COIL	1	
6	6174Z-1018E	FBT, FMTC61-M1018C	1	
7	4920TKC016G	PLATE, HEAT SINK FOR IC703	2	AL
8	6200TJB001E	AC SOCKET	1	
9	4920TKC028D	PLATE, HEAT SINK FOR IC901	1	AL
10	4920TKC028D	PLATE, HEAT SINK FOR IC601	1	AL
11	4920TKC003V	PLATE, HEAT SINK FOR Q708, D713	1	AL
12	4814TKK134A	SHIELD, REAR BRACKET	1	
12-1	6866TA9017A	SIGNAL CABLE, COOL GRAY FEMALE DM	1	
13	4951TKS030H	METAL ASS'Y, SHIELD	1	LGC GN5001TF UL94-5V
13-1	4810TKM027D	MAIN BRACKET	1	
14	332-102A	SCREW, PVS+4x12	4	
15	4951TKK015D	METAL ASS'Y, FRAME BOTTOM	1	
16	6871TST155A	CONTROL PCB ASS'Y	1	SPTE-C (t=0.3)
17	4815TKT010E	TOP SHIELD ASS'Y	1	LUPOY-IC56A
18	3550TKK007E	SCREW COVER	2	LUPOY-IC56A
19	3809TKC008S	BACK COVER ASS'Y	1	
20	332-105F	SCREW, PTP+4x20	4	LUPOY-IC56A
21	3043TKK017M	TILT SWIVEL ASS'Y	1	
A	6871TMT156A	MAIN PCB ASS'Y	1	
B	6871TVT150A	VIDEO PCB ASS'Y	1	
C	3313T19018A	CHASSIS TOTAL ASS'Y	1	

REPLACEMENT PARTS LIST

CAUTION: BEFORE REPLACING ANY OF THESE COMPONENTS,
READ CAREFULLY THE **SAFETY PRECAUTIONS** IN THIS MANUAL.

* NOTE : **S** SAFETY Mark 
AL ALTERNATIVE PARTS

MODEL: (New) D2842A,CS990C			DATE: 1999. 12. 1.		
*S	*AL	LOC. NO.	PART NO.	DESCRIPTION / SPECIFICATION	REMARK
MAIN BOARD					
CAPACITORS					
		C401	0CK1040K945	CAPACITOR, CERAMIC (HIGH DIELECTRIC), 0.1UF 50V Z F TR	
		C402	0CE1076F618	CAPACITOR, AL.ELECTROLYTIC, 100UF SMS 16V M TP(5),	
		C403	0CN1040K949	CAPACITOR, TUBULAR(HIGH DIELEC), 0.1M 50V Z F TA52	
		C405	0CK1040K945	CAPACITOR, CERAMIC (HIGH DIELECTRIC), 0.1UF 50V Z F TR	
		C406	0CC3300K415	CAPACITOR, CERAMIC (TEMP. COMPENSATE), 33P 50V J NP0 TP	
		C407	0CC3300K415	CAPACITOR, CERAMIC (TEMP. COMPENSATE), 33P 50V J NP0 TP	
		C408	0CE4766F618	CAPACITOR, AL.ELECTROLYTIC, 47U SMS 16V M FM5 TP5	
		C409	0CN3310K519	CAPACITOR, TUBULAR(HIGH DIELEC), 330P 50V K B TA52	
		C410	0CN1040K949	CAPACITOR, TUBULAR(HIGH DIELEC), 0.1M 50V Z F TA52	
		C411	0CN3310K519	CAPACITOR, TUBULAR(HIGH DIELEC), 330P 50V K B TA52	
		C412	0CN1010K519	CAPACITOR, TUBULAR(HIGH DIELEC), 100P 50V K B TA52	
		C413	0CN1040K949	CAPACITOR, TUBULAR(HIGH DIELEC), 0.1M 50V Z F TA52	
		C601	0CE477CH618	CAPACITOR, AL.ELECTROLYTIC, 470UF SHL 25V M FL TP5	
		C602	0CE4766K618	CAPACITOR, AL.ELECTROLYTIC, 47M SMS 50V M FM5 TP(5),	
		C603	181-288Q	CAPACITOR, POLYESTER, MKT 100V 154JTR PHS26154	
		C604	0CE4776F618	CAPACITOR, AL.ELECTROLYTIC, 470U SMS 16V M FM5 TP5	
		C661	0CN1040K949	CAPACITOR, TUBULAR(HIGH DIELEC), 0.1M 50V Z F TA52	
		C662	181-288E	CAPACITOR, POLYESTER, MKT 100V 474JTR PHS 26474	
		C665	0CE1076K618	CAPACITOR, AL.ELECTROLYTIC, 100U SMS 50V M FM5 TP5	
		C701	0CE1066F618	CAPACITOR, AL.ELECTROLYTIC, 10UF SMS 16V M FL TP5	
		C702	181-288B	CAPACITOR, POLYESTER, MKT 100V 104JTR PHS26104	
		C703	0CQ1021N419	CAPACITOR, POLYESTER, 1000P 100V J POLY NI TP	
		C704	0CK1010K515	CAPACITOR, CERAMIC (HIGH DIELECTRIC), 100PF 50V K B TR	
		C705	0CE4776F618	CAPACITOR, AL.ELECTROLYTIC, 470U SMS 16V M FM5 TP5	
		C706	181-288Q	CAPACITOR, POLYESTER, MKT 100V 154JTR PHS26154	
		C707	181-288B	CAPACITOR, POLYESTER, MKT 100V 104JTR PHS26104	
		C708	0CQ8221N519	CAPACITOR, POLYESTER, 0.0082U 100V K POLY NI TP	
		C709	181-288B	CAPACITOR, POLYESTER, MKT 100V 104JTR PHS26104	
		C710	181-288N	CAPACITOR, POLYESTER, MKT 100V 103JTR PHS86103	
		C711	0CQ5621N419	CAPACITOR, POLYESTER, 5600P 100V J POLY NI TP	
		C712	0CBZTTA002A	CAPACITOR, POLYPROPYLENE, 2000F D 2.5KV J M/PP NI TP7.5	
		C713	0CN1040K949	CAPACITOR, TUBULAR(HIGH DIELEC), 0.1M 50V Z F TA52	
		C714	181-477U	CAPACITOR, POLYPROPYLENE, 333J 19.5*13.0*7.5*7.5 250V J PU TP7.5	
		C715	0CE476CR630	CAPACITOR, AL.ELECTROLYTIC, 47UF SHL,SD 250V M FM5 BULK	
		C716	181-288T	CAPACITOR, POLYESTER, MKT 100V 223KTR PHS85223	
		C717	0CBZTTA002A	CAPACITOR, POLYPROPYLENE, 2000F D 2.5KV J M/PP NI TP7.5	
		C718	181-305L	CAPACITOR, POLYPROPYLENE, 684J 26.0*19.0*12.5*15.0 250V J MPP FM15	
		C719	181-305M	CAPACITOR, POLYPROPYLENE, 824J 26.0*21.5*13.0*15.0 250V J MPP FM15	
		C720	181-477X	CAPACITOR, POLYPROPYLENE, 563J 19.5*15.5*9.0*7.5 250V J PU TP7.5	
		C721	181-482D	CAPACITOR, POLYPROPYLENE, 184J 18.0*15.0*8.5*7.5 250V J MPP TP7.5	
		C722	181-482U	CAPACITOR, POLYPROPYLENE, 254JF 19.0*17.0*10.0*7.5 250V J MPP TP7.5	
		C723	181-478A	CAPACITOR, POLYPROPYLENE, 104J 20.0*18.5*10.5*7.5 250V J PU TP7.5	
		C724	0CN1040K949	CAPACITOR, TUBULAR(HIGH DIELEC), 0.1M 50V Z F TA52	
		C725	0CN1040K949	CAPACITOR, TUBULAR(HIGH DIELEC), 0.1M 50V Z F TA52	
		C726	0CN1040K949	CAPACITOR, TUBULAR(HIGH DIELEC), 0.1M 50V Z F TA52	
		C727	0CN1040K949	CAPACITOR, TUBULAR(HIGH DIELEC), 0.1M 50V Z F TA52	
		C728	0CE1056P618	CAPACITOR, AL.ELECTROLYTIC, 1U SMS 160V M FM5 TP5	
		C729	0CE477CH618	CAPACITOR, AL.ELECTROLYTIC, 470UF SHL 25V M FL TP5	
		C730	0CE4756P618	CAPACITOR, AL.ELECTROLYTIC, 4.7U SMS 160V M FM5 TP5	
		C731	181-288B	CAPACITOR, POLYESTER, MKT 100V 104JTR PHS26104	
		C732	0CQ1031N409	CAPACITOR, POLYESTER, 0.01U 100V J POLY TP	
		C733	0CN1040K949	CAPACITOR, TUBULAR(HIGH DIELEC), 0.1M 50V Z F TA52	
		C734	0CN1040K949	CAPACITOR, TUBULAR(HIGH DIELEC), 0.1M 50V Z F TA52	
		C735	0CK10102515	CAPACITOR, CERAMIC (HIGH DIELECTRIC), 100PF 2KV K B TR	
		C736	0CQ3321N419	CAPACITOR, POLYESTER, 3300P 100V J POLY NI TP	
		C737	0CK4710W515	CAPACITOR, CERAMIC (HIGH DIELECTRIC), 470P 500V K B TS	

*S	*AL	LOC. NO.	PART NO.	DESCRIPTION / SPECIFICATION	REMARK
		C738	0CK10102515	CAPACITOR, CERAMIC (HIGH DIELECTRIC), 100PF 2KV K B TR	
		C741	181-478A	CAPACITOR, POLYPROPYLENE, 104J 20.0*18.5*10.5*7.5 250V J PU TP7.5	
		C742	0CK6810W515	CAPACITOR, CERAMIC (HIGH DIELECTRIC), 680P 500V K B TS	
		C743	0CK47101515	CAPACITOR, CERAMIC (HIGH DIELECTRIC), 470P 1KV K B TS	
		C744	0CE1076K618	CAPACITOR, AL.ELECTROLYTIC, 100U SMS 50V M FM5 TP5	
		C745	0CE1066K618	CAPACITOR, AL.ELECTROLYTIC, 10M SMS 50V M FM5 TP(5)	
		C746	181-288B	CAPACITOR, POLYESTER, MKT 100V 104JTR PHS26104	
		C747	0CE107CP630	CAPACITOR, AL.ELECTROLYTIC, 100UF SHL 160V M FM5 BULK	
		C748	181-477F	CAPACITOR, POLYPROPYLENE, 272J 19.5*12.0*7.0*7.5 250V J PU TP7.5	
		C749	0CN1040K949	CAPACITOR, TUBULAR(HIGH DIELEC), 0.1M 50V Z F TA52	
		C750	0CE4756K618	CAPACITOR, AL.ELECTROLYTIC, 4.7U SMS 50V M FM5 TP5	
		C751	0CQ1021N419	CAPACITOR, POLYESTER, 1000P 100V J POLY NI TP	
		C752	0CBZTTA001B	CAPACITOR, POLYPROPYLENE, 122J 20.0*10.0*6.0*7.5 800V J BUP TP7.5	
		C753	0CBZTTA001E	CAPACITOR, POLYPROPYLENE, 222J 20.0*10.5*6.5*7.5 800V J BUP TP7.5	
		C754	0CE107CP630	CAPACITOR, AL.ELECTROLYTIC, 100UF SHL 160V M FM5 BULK	
		C755	0CE105CK638	CAPACITOR, AL.ELECTROLYTIC, 1UF SHL,SD 50V M FM5 TP 5	
		C756	0CN1040K949	CAPACITOR, TUBULAR(HIGH DIELEC), 0.1M 50V Z F TA52	
		C757	0CE2266K618	CAPACITOR, AL.ELECTROLYTIC, 22M SMS 50V M FM5 TP(5)	
		C758	0CK10302945	CAPACITOR, CERAMIC (HIGH DIELECTRIC), 0.01UF 2KV Z F TR	
		C759	0CN1040K949	CAPACITOR, TUBULAR(HIGH DIELEC), 0.1M 50V Z F TA52	
		C761	0CE4766K618	CAPACITOR, AL.ELECTROLYTIC, 47M SMS 50V M FM5 TP(5)	
		C762	0CE1066F618	CAPACITOR, AL.ELECTROLYTIC, 10UF SMS 16V M FL TP5	
		C763	0CN1020K519	CAPACITOR, TUBULAR(HIGH DIELEC), 1000P 50V K B TA52	
		C764	0CE3366F618	CAPACITOR, AL.ELECTROLYTIC, 33U SMS 16V M FM5 TP5	
		C765	0CBZTTA001S	CAPACITOR, POLYPROPYLENE, 123J 23.0*16.0*9.5*7.5 800V J BUP TP7.5	
		C766	0CN1040K949	CAPACITOR, TUBULAR(HIGH DIELEC), 0.1M 50V Z F TA52	
		C768	181-288Q	CAPACITOR, POLYESTER, MKT 100V 154JTR PHS26154	
		C770	0CC1000W105	CAPACITOR, CERAMIC (TEMP. COMPENSATE), 10PF 500V D SL TR	
		C771	181-288B	CAPACITOR, POLYESTER, MKT 100V 104JTR PHS26104	
		C772	0CE4756K618	CAPACITOR, AL.ELECTROLYTIC, 4.7U SMS 50V M FM5 TP5	
		C773	0CC1000W105	CAPACITOR, CERAMIC (TEMP. COMPENSATE), 10PF 500V D SL TR	
		C774	0CN1020K519	CAPACITOR, TUBULAR(HIGH DIELEC), 1000P 50V K B TA52	
		C775	0CE4766K618	CAPACITOR, AL.ELECTROLYTIC, 47M SMS 50V M FM5 TP(5)	
		C777	0CN1040K949	CAPACITOR, TUBULAR(HIGH DIELEC), 0.1M 50V Z F TA52	
		C778	0CN1040K949	CAPACITOR, TUBULAR(HIGH DIELEC), 0.1M 50V Z F TA52	
		C779	0CE1066F618	CAPACITOR, AL.ELECTROLYTIC, 10UF SMS 16V M FL TP5	
		C780	0CE107EP630	CAPACITOR, AL.ELECTROLYTIC, 100UF KMG 160V M FM5 BULK	
		C781	181-288C	CAPACITOR, POLYESTER, MKT 100V 224JTR PHS 26224	
		C782	0CE1076H618	CAPACITOR, AL.ELECTROLYTIC, 100M SMS 25V M FM5 TP(5)	
		C783	0CE1076F618	CAPACITOR, AL.ELECTROLYTIC, 100UF SMS 16V M TP(5)	
		C784	181-288B	CAPACITOR, POLYESTER, MKT 100V 104JTR PHS26104	
		C786	0CK1010W515	CAPACITOR, CERAMIC (HIGH DIELECTRIC), 100P 500V K B TS	
		C787	181-475A	CAPACITOR, POLYPROPYLENE, 102J 11.5*10.0*6.0*5.0 100V J PU TP5	
		C791	0CK2220W515	CAPACITOR, CERAMIC (HIGH DIELECTRIC), 2200P 500V K B TS	
		C792	0CK1010W515	CAPACITOR, CERAMIC (HIGH DIELECTRIC), 100P 500V K B TS	
		C793	0CK1010W515	CAPACITOR, CERAMIC (HIGH DIELECTRIC), 100P 500V K B TS	
		C799	0CE1066F618	CAPACITOR, AL.ELECTROLYTIC, 10UF SMS 16V M FL TP5	
		C901	0CK27101515	CAPACITOR, CERAMIC (HIGH DIELECTRIC), 270P 1KV K B TS	
		C902	181-288B	CAPACITOR, POLYESTER, MKT 100V 104JTR PHS26104	
		C903	0CK3320K515	CAPACITOR, CERAMIC (HIGH DIELECTRIC), 3300P 50V K B TS	
		C904	0CE3356K618	CAPACITOR, AL.ELECTROLYTIC, 3.3U SMS 50V M FM5 TP5	
		C905	0CE4766H618	CAPACITOR, AL.ELECTROLYTIC, 47M SMS 25V M FL TP(5)	
		C906	0CE226CQ630	CAPACITOR, AL.ELECTROLYTIC, 22U SHL 200V M FM5	
		C907	181-296G	CAPACITOR, AL.ELECTROLYTIC, 470UF SMH(35*45) 400V M VNSN BULK	
		C908	181-288D	CAPACITOR, POLYESTER, MKT 100V 473JTR PHS26473	
		C909	0CE108CF630	CAPACITOR, AL.ELECTROLYTIC, 1000UF SHL 16V M FM5 BULK	
		C910	0CE108CF630	CAPACITOR, AL.ELECTROLYTIC, 1000UF SHL 16V M FM5 BULK	
		C911	0CE227CN630	CAPACITOR, AL.ELECTROLYTIC, 220U SHL 100V M FM5	
		C912	0CE1076K618	CAPACITOR, AL.ELECTROLYTIC, 100U SMS 50V M FM5 TP5	
		C913	0CE227CR650	CAPACITOR, AL.ELECTROLYTIC, 220UF SHL 250V M FM7.5 BULK	
		C914	0CE2276P650	CAPACITOR, AL.ELECTROLYTIC, 220U SMS 160V M FM7.5	
		C915	181-308V	CAPACITOR, POLYPROPYLENE, 393J 20.0*21.0*13.5*10.0 630V J PU FM10	
		C916	0CE108CH630	CAPACITOR, AL.ELECTROLYTIC, 1000UF SHL 25V M FM5 BULK	
		C917	0CE108CH630	CAPACITOR, AL.ELECTROLYTIC, 1000UF SHL 25V M FM5 BULK	
		C919	0CK56101515	CAPACITOR, CERAMIC (HIGH DIELECTRIC), 560P 1KV K B TS	
		C920	0CE2266N618	CAPACITOR, AL.ELECTROLYTIC, 22M SMS 100V M FM5 TP5	

*S	*AL	LOC. NO.	PART NO.	DESCRIPTION / SPECIFICATION	REMARK
		C921	0CE4766F618	CAPACITOR, AL.ELECTROLYTIC, 47U SMS 16V M FM5 TP5	
		C922	0CKZTBU003C	CAPACITOR, CERAMIC (HIGH DIELECTRIC), SC E 472M 14.0BW7 250V BK7.5	
		C923	0CK33101515	CAPACITOR, CERAMIC (HIGH DIELECTRIC), 330P 1KV K B TS	
		C924	181-288B	CAPACITOR, POLYESTER, MKT 100V 104JTR PHS26104	
		C925	0CBZTBU002A	CAPACITOR, POLYESTER, BULK PCX2 335 224K	
		C926	181-305J	CAPACITOR, POLYPROPYLENE, 474J 26.0*17.0*15.0 250V J MPP FM15	
DIODEs					
		D401	0DS113309AA	DIODE, SWITCHING, 1SS133 TP ROHM KOREA DO34 90V 0.4A 0.6A 4.0NSEC	
		D402	0DS113309AA	DIODE, SWITCHING, 1SS133 TP ROHM KOREA DO34 90V 0.4A 0.6A 4.0NSEC	
		D601	0DD400509BB	DIODE, RECTIFIER, UF4005(52MM) TP G.I DO41 600V 1A 30A 75NS 10UA	
		D701	0DS113309AA	DIODE, SWITCHING, 1SS133 TP ROHM KOREA DO34 90V 0.4A 0.6A 4.0NSEC	
		D702	0DS113309AA	DIODE, SWITCHING, 1SS133 TP ROHM KOREA DO34 90V 0.4A 0.6A 4.0NSEC	
		D703	0DS113309AA	DIODE, SWITCHING, 1SS133 TP ROHM KOREA DO34 90V 0.4A 0.6A 4.0NSEC	
		D704	0DS113309AA	DIODE, SWITCHING, 1SS133 TP ROHM KOREA DO34 90V 0.4A 0.6A 4.0NSEC	
		D705	0DS113309AA	DIODE, SWITCHING, 1SS133 TP ROHM KOREA DO34 90V 0.4A 0.6A 4.0NSEC	
		D706	0DR140059DA	DIODE, RECTIFIER, 1N4005TB52 TP LITEON DO41 600V 1A 40A ,SEC 5UA	
		D707	0DR140059DA	DIODE, RECTIFIER, 1N4005TB52 TP LITEON DO41 600V 1A 40A ,SEC 5UA	
		D708	0DS113309AA	DIODE, SWITCHING, 1SS133 TP ROHM KOREA DO34 90V 0.4A 0.6A 4.0NSEC	
		D709	0DS113309AA	DIODE, SWITCHING, 1SS133 TP ROHM KOREA DO34 90V 0.4A 0.6A 4.0NSEC	
		D710	0DS113309AA	DIODE, SWITCHING, 1SS133 TP ROHM KOREA DO34 90V 0.4A 0.6A 4.0NSEC	
		D711	0DR140059DA	DIODE, RECTIFIER, 1N4005TB52 TP LITEON DO41 600V 1A 40A ,SEC 5UA	
		D712	0DD140009AA	DIODE, RECTIFIER, EK14 V(1) TP SANKEN E/EO-TMD 40V 1.5A 40A 0.2US	
		D713	0DR200000EA	DIODE, RECTIFIER, FMQ-G2FMS BK SANKEN NON 1500V 10A 50A 0.5USEC	
		D714	0DR260400AA	DIODE, RECTIFIER, S2L60-4004P15 BK SHINDENGEN NON 600V 1.5A 50A	
		D717	0DD140009AA	DIODE, RECTIFIER, EK14 V(1) TP SANKEN E/EO-TMD 40V 1.5A 40A 0.2US 5M	
		D719	0DD245620AA	DIODE, RECTIFIER, 2NH45(LC6-20) BK TOSHIBA DO201AD 1000V 2A 50A 75	
		D720	0DD245620AA	DIODE, RECTIFIER, 2NH45(LC6-20) BK TOSHIBA DO201AD 1000V 2A 50A 75	
		D721	0DD400709CB	DIODE, RECTIFIER, UF4007 TP G.I DO204AL 1000V 1A 30A 75NS 10UA	
		D722	0DD400709CB	DIODE, RECTIFIER, UF4007 TP G.I DO204AL 1000V 1A 30A 75NS 10UA	
		D723	0DD100009DE	DIODE, RECTIFIER, RGP10G TP G.I DO204AL 400V 1A 30A 150NS 5UA	
		D725	0DS113309AA	DIODE, SWITCHING, 1SS133 TP ROHM KOREA DO34 90V 0.4A 0.6A 4.0NSEC	
		D726	0DS113309AA	DIODE, SWITCHING, 1SS133 TP ROHM KOREA DO34 90V 0.4A 0.6A 4.0NSEC	
		D729	0DD100009DD	DIODE, RECTIFIER, RGP10D TP G.I DO204AL 200V 1A 30A 150NS 5UA	
		D730	0DD400709CB	DIODE, RECTIFIER, UF4007 TP G.I DO204AL 1000V 1A 30A 75NS 10UA	
		D733	0DS113309AA	DIODE, SWITCHING, 1SS133 TP ROHM KOREA DO34 90V 0.4A 0.6A 4.0NSEC	
		D734	0DS113309AA	DIODE, SWITCHING, 1SS133 TP ROHM KOREA DO34 90V 0.4A 0.6A 4.0NSEC	
		D735	0DS113309AA	DIODE, SWITCHING, 1SS133 TP ROHM KOREA DO34 90V 0.4A 0.6A 4.0NSEC	
		D737	0DS113309AA	DIODE, SWITCHING, 1SS133 TP ROHM KOREA DO34 90V 0.4A 0.6A 4.0NSEC	
		D738	0DS113309AA	DIODE, SWITCHING, 1SS133 TP ROHM KOREA DO34 90V 0.4A 0.6A 4.0NSEC	
		D739	0DS113309AA	DIODE, SWITCHING, 1SS133 TP ROHM KOREA DO34 90V 0.4A 0.6A 4.0NSEC	
		D741	0DS113309AA	DIODE, SWITCHING, 1SS133 TP ROHM KOREA DO34 90V 0.4A 0.6A 4.0NSEC	
		D742	0DS113309AA	DIODE, SWITCHING, 1SS133 TP ROHM KOREA DO34 90V 0.4A 0.6A 4.0NSEC	
		D743	0DS113309AA	DIODE, SWITCHING, 1SS133 TP ROHM KOREA DO34 90V 0.4A 0.6A 4.0NSEC	
		D744	0DD400709CB	DIODE, RECTIFIER, UF4007 TP G.I DO204AL 1000V 1A 30A 75NS 10UA	
		D745	0DS113309AA	DIODE, SWITCHING, 1SS133 TP ROHM KOREA DO34 90V 0.4A 0.6A 4.0NSEC	
		D746	0DS113309AA	DIODE, SWITCHING, 1SS133 TP ROHM KOREA DO34 90V 0.4A 0.6A 4.0NSEC	
		D751	0DS113309AA	DIODE, SWITCHING, 1SS133 TP ROHM KOREA DO34 90V 0.4A 0.6A 4.0NSEC	
		D752	0DD100009DA	DIODE, RECTIFIER, RGP10J TP G.I DO204AL 600V 1A 30A 250NS 5UA	
		D770	0DS113309AA	DIODE, SWITCHING, 1SS133 TP ROHM KOREA DO34 90V 0.4A 0.6A 4.0NSEC	
		D771	0DS113309AA	DIODE, SWITCHING, 1SS133 TP ROHM KOREA DO34 90V 0.4A 0.6A 4.0NSEC	
		D773	0DS113309AA	DIODE, SWITCHING, 1SS133 TP ROHM KOREA DO34 90V 0.4A 0.6A 4.0NSEC	
		D775	0DS113309AA	DIODE, SWITCHING, 1SS133 TP ROHM KOREA DO34 90V 0.4A 0.6A 4.0NSEC	
		D901	0DD606000AA	DIODE, BRIDGE, RBV606 BK SANKEN 600V 6A 150A 10UA	
		D902	0DD400709CB	DIODE, RECTIFIER, UF4007 TP G.I DO204AL 1000V 1A 30A 75NS 10UA	
		D903	0DD400709CB	DIODE, RECTIFIER, UF4007 TP G.I DO204AL 1000V 1A 30A 75NS 10UA	
		D904	0DD100009DA	DIODE, RECTIFIER, RGP10J TP G.I DO204AL 600V 1A 30A 250NS 5UA	
		D906	0DR240000CA	DIODE, RECTIFIER, RN2Z(LF-C4) BK SANKEN NON 200V 2A 70A 100NSEC	
		D907	0DR240000CA	DIODE, RECTIFIER, RN2Z(LF-C4) BK SANKEN NON 200V 2A 70A 100NSEC	
		D908	0DD200009AH	DIODE, RECTIFIER, RU2AMV(1) TP SANKEN R-TMD 600V 1.1A 20A 0.4US	
		D909	0DD200009AH	DIODE, RECTIFIER, RU2AMV(1) TP SANKEN R-TMD 600V 1.1A 20A 0.4US	
		D910	0DR260400AA	DIODE, RECTIFIER, S2L60-4004P15 BK SHINDENGEN NON 600V 1.5A 50A	
		D911	0DR260400AA	DIODE, RECTIFIER, S2L60-4004P15 BK SHINDENGEN NON 600V 1.5A 50A	
		D912	0DR210009AB	DIODE, RECTIFIER, RL2AV(1) TP SANKEN A-TMD 600V 1.1A 30A 50NS 50UA	
		D913	0DD200009AJ	DIODE, RECTIFIER, RL2Z V(1) TP SANKEN A-TMD 200V 2A 30A 50NS 50UA	

*S	*AL	LOC. NO.	PART NO.	DESCRIPTION / SPECIFICATION	REMARK
		D914	0DS113309AA	DIODE, SWITCHING, 1SS133 TP ROHM KOREA DO34 90V 0.4A 0.6A 4.0NSEC	
		D917	0DS113309AA	DIODE, SWITCHING, 1SS133 TP ROHM KOREA DO34 90V 0.4A 0.6A 4.0NSEC	
		D918	0DS113309AA	DIODE, SWITCHING, 1SS133 TP ROHM KOREA DO34 90V 0.4A 0.6A 4.0NSEC	
		D920	0DD100009DA	DIODE, RECTIFIER, RGP10J TP G.I DO204AL 600V 1A 30A 250NS 5UA	
		D921	0DS113309AA	DIODE, SWITCHING, 1SS133 TP ROHM KOREA DO34 90V 0.4A 0.6A 4.0NSEC	
		D922	0DR140059DA	DIODE, RECTIFIER, 1N4005TB52 TP LITEON DO41 600V 1A 40A .SEC 5UA	
		D923	0DS113309AA	DIODE, SWITCHING, 1SS133 TP ROHM KOREA DO34 90V 0.4A 0.6A 4.0NSEC	
		ZD401	0DZ560009CE	DIODE, ZENER, MTZJ5.6B TP ROHM-K DO34 500MW 5.6V 5MA 26MM	
		ZD403	0DZ560009CE	DIODE, ZENER, MTZJ5.6B TP ROHM-K DO34 500MW 5.6V 5MA 26MM	
		ZD404	0DZ560009CE	DIODE, ZENER, MTZJ5.6B TP ROHM-K DO34 500MW 5.6V 5MA 26MM	
		ZD405	0DZ560009CE	DIODE, ZENER, MTZJ5.6B TP ROHM-K DO34 500MW 5.6V 5MA 26MM	
		ZD406	0DZ560009CE	DIODE, ZENER, MTZJ5.6B TP ROHM-K DO34 500MW 5.6V 5MA 26MM	
		ZD701	0DZ110009AD	DIODE, ZENER, MTZJ11B TP ROHM-K DO34 500MW 11V 5MA	
		ZD702	0DZ180009AG	DIODE, ZENER, MTZJ18B TP ROHM-K DO34 500MW 18V 5MA	
		ZD703	0DZ560009CE	DIODE, ZENER, MTZJ5.6B TP ROHM-K DO34 500MW 5.6V 5MA 26MM	
		ZD704	0DZ750009AG	DIODE, ZENER, MTZJ7.5B TP ROHM-K DO34 0.5W 7.5V 5MA .PF	
		ZD706	0DZ510009AB	DIODE, ZENER, MTZ5.1B TP ROHM-K DO34 500MW 5.1V 20MA	
		ZD707	0DZ680009BB	DIODE, ZENER, MTZJ6.8B TP ROHM-K DO34 0.5W 6.8V 5MAA .PF	
		ZD708	0DZ180009AG	DIODE, ZENER, MTZJ18B TP ROHM-K DO34 500MW 18V 5MA	
		ZD801	0DZ820009AH	DIODE, ZENER, MTZJ8.2B TP ROHM-K DO34 500MW 8.2V 5MA	
		ZD802	0DZ560009CE	DIODE, ZENER, MTZJ5.6B TP ROHM-K DO34 500MW 5.6V 5MA 26MM	
		ZD803	0DZ560009CE	DIODE, ZENER, MTZJ5.6B TP ROHM-K DO34 500MW 5.6V 5MA 26MM	
		ZD804	0DZ910009AH	DIODE, ZENER, MTZJ9.1B TP ROHM-K DO34 500MW 9.1V 5MA	
		ZD901	0DZ150009AD	DIODE, ZENER, MTZJ15B TP ROHM-K DO34 500MW 15V 5MA	
		ZD903	0DZ680009BB	DIODE, ZENER, MTZJ6.8B TP ROHM-K DO34 0.5W 6.8V 5MAA .PF	
		ZD904	0DZ560009CE	DIODE, ZENER, MTZJ5.6B TP ROHM-K DO34 500MW 5.6V 5MA 26MM	
		ZD905	0DZ110009AD	DIODE, ZENER, MTZJ11B TP ROHM-K DO34 500MW 11V 5MA	
ICs					
		IC401	0IZZTSZ059A	IC[HYBRID], CS990C BK MICOM ASSY	
		IC402	0ISS240810B	IC, SAMSUNG ELECTRONICS, KS24C081C 8DIP ST 8K EEPROM IC	
		IC651	0ISS455800H	IC, SAMSUNG ELECTRONICS, KA4558 8P DIP BK OP AMP	
		IC701	0IPH485600A	IC, PHILIPS, TDA4856 SDIP32 BK IIC DEFLECTION CONT. IC	
		IC702	0ISS358000C	IC, SAMSUNG ELECTRONICS, KA358 OP AMP	
		IC704	0INS353000A	IC, NATIONAL SEMICONDUCTOR, LF353N OP-AMP	
		IC705	0ISS358000C	IC, SAMSUNG ELECTRONICS, KA358 OP AMP	
		IC902	0IL1817000E	IC, LITEON, LTV-817M B 4P BK PHOTO COUPLER CTR(130-260)	
		IC905	0ISS780500F	IC, SAMSUNG ELECTRONICS, KA7805	
		IC907	0ISS431000A	IC, SAMSUNG ELECTRONICS, KA431AZ (LM431AZ)	
		IC908	0ISH608300A	IC, SHARP, PQ6RD083 4P BK 6.3V VOL. REGULATOR	
COILS & CORES					
		L701	150-235C	COIL, CHOKE, DR8*11 100UH 0.4MM 53.5T	
		L702	150-985N	COIL, CHOKE, DR10*10 4.7UH 0.16MM 322.5T FILTER CHOKE	
		L703	150-L05N	COIL, LINEARITY, DR14*15 14*6T 5.6UH 0.12*30MM 17.5T	
		L704	150-985R	COIL, CHOKE, DR10*12 50UH 0.12*15MM 35.5T SWITCHING CHOKE	
		L705	150-985P	COIL, CHOKE, DR12*15 6MH 0.25MM 365.5T H-CENTERING	
		L706	6140TBZ009C	COIL, CHOKE, NO CORE 10UH 0.12*15MM 50.5T FILTER CHOKE	
		FB401	125-155K	CORE (CIRC), BEAD, BFS3550A0FG SAMWHA 3.5*5.0MM AXIAL52MM	
		FB701	125-155L	CORE (CIRC), BEAD, BFS3580A0FG SAMWHA 3.5*8.0MM AXIAL52MM	
		FB702	125-155L	CORE (CIRC), BEAD, BFS3580A0FG SAMWHA 3.5*8.0MM AXIAL52MM	
		FB703	125-155H	CORE (CIRC), BEAD, BFS3510A0FG SAMWHA 3.5*10MM AXIAL52MM	
		FB704	125-155L	CORE (CIRC), BEAD, BFS3580A0FG SAMWHA 3.5*8.0MM AXIAL52MM	
TRANSISTORS					
		Q401	0TR114009AB	TRANSISTOR, DTC114ES TP ROHM-K SPT NPN	
		Q651	0TR320509AB	TRANSISTOR, KTC3205-Y(KTC2236A) TP KEC TO92L NPN	
		Q652	0TR127309AA	TRANSISTOR, KTA1273-Y(KTA966A) TP KEC TO92L PNP	
		Q701	0TR114009AB	TRANSISTOR, DTC114ES TP ROHM-K SPT NPN	
		Q702	0TR114009AB	TRANSISTOR, DTC114ES TP ROHM-K SPT NPN	
		Q703	0TR471009AA	TRANSISTOR, KSD471AC-Y TP SAMSUNG TO92 NPN	
		Q704	0TR564009AB	TRANSISTOR, KSB564AC-YTA TP SANSUNG TO92 PNP	
		Q705	0TR471009AA	TRANSISTOR, KSD471AC-Y TP SAMSUNG TO92 NPN	

*S	*AL	LOC. NO.	PART NO.	DESCRIPTION / SPECIFICATION	REMARK
		Q706	0TR564009AB	TRANSISTOR, KSB564AC-YTA TP SANSUNG TO92 PNP	
		Q707	0TR319809AA	TRANSISTOR, KTC3198-Y(KTC1815) TP KEC TO92 NPN	
		Q708	0TR558900BA	TRANSISTOR, 2SC5589(LG,W/M) BK TOSHIBA TO3P H-OUT TR 1500V 23A	
		Q710	0TR114009AB	TRANSISTOR, DTC114ES TP ROHM-K SPT NPN	
		Q711	0TR200009AB	TRANSISTOR, KTC200-Y TP KEC TO92 NPN	
		Q712	0TR127009AA	TRANSISTOR, KTA1270-Y(KTA562TM) TP KEC TO92 PNP	
		Q713	0TR880000CA	TRANSISTOR, 2SD880-O BK TOSHIBA TO220AB NPN	
		Q718	0TF640000CA	FET, IRFS640A BK SAMSUNG 200V 9A TO220F	
		Q719	0TF640000CA	FET, IRFS640A BK SAMSUNG 200V 9A TO220F	
		Q720	0TF640000CA	FET, IRFS640A BK SAMSUNG 200V 9A TO220F	
		Q722	0TR231009AA	TRANSISTOR, KSC2310-Y TP SAMSUNG TO92L NPN	
		Q723	0TR910009AA	TRANSISTOR, KSA910-YTA TP SAMSUNG TO92L PNP	
		Q724	0TR910009AA	TRANSISTOR, KSA910-YTA TP SAMSUNG TO92L PNP	
		Q725	0TR319809AA	TRANSISTOR, KTC3198-Y(KTC1815) TP KEC TO92 NPN	
		Q726	0TR114009AB	TRANSISTOR, DTC114ES TP ROHM-K SPT NPN	
		Q727	0TR107009DA	TRANSISTOR, KTA10700-Y TP KEC TO-92L PNP (-200V)	
		Q728	0TR319809AA	TRANSISTOR, KTC3198-Y(KTC1815) TP KEC TO92 NPN	
		Q729	0TR319809AA	TRANSISTOR, KTC3198-Y(KTC1815) TP KEC TO92 NPN	
		Q734	0TR320709AA	TRANSISTOR, KTC3207(KTC2482) TP KEC TO92L NPN	
		Q737	0TR127009AA	TRANSISTOR, KTA1270-Y(KTA562TM) TP KEC TO92 PNP	
		Q739	0TR463300AB	TRANSISTOR, 2SC4633(LS-CB11) BK SANYO LS-CB11 NPN	
		Q741	0TR463300AB	TRANSISTOR, 2SC4633(LS-CB11) BK SANYO LS-CB11 NPN	
		Q742	0TR390409CA	TRANSISTOR, 2N3904 TP SAMSUNG TO92 NPN	
		Q745	0TR390600CA	TRANSISTOR, 2N3906 TP SAMSUNG TO92 NPN	
		Q750	0TF283509AA	FET, 2SK2835(TP) TP TOSHIBA 200V 5A NON	
		Q901	0TR320709AA	TRANSISTOR, KTC3207(KTC2482) TP KEC TO92L NPN	
		Q902	0TR320709AA	TRANSISTOR, KTC3207(KTC2482) TP KEC TO92L NPN	
		Q904	0TR319809AB	TRANSISTOR, KTC3198-GR(KTC1815) TP KEC TO92 NPN	
		Q905	0TR320609AB	TRANSISTOR, KTC3206-Y(KTC2229) TP KEC TO92L NPN	
		Q906	0TR127509AC	TRANSISTOR, KTA1275-Y(KTA1013) TP KEC TO92L NPN	
		Q907	0TR319809AA	TRANSISTOR, KTC3198-Y(KTC1815) TP KEC TO92 NPN	
		Q908	0TR319809AA	TRANSISTOR, KTC3198-Y(KTC1815) TP KEC TO92 NPN	
		Q911	0TR401000CC	TRANSISTOR, KSD401-Y(W/MICA) BK SAMSUNG TO220 NPN	
		Q930	0TR320609AB	TRANSISTOR, KTC3206-Y(KTC2229) TP KEC TO92L NPN	
		Q931	0TR127509AC	TRANSISTOR, KTA1275-Y(KTA1013) TP KEC TO92L PNP	

RESISTORs

		R401	0RD0102Q609	RESISTOR, FIXED CARBON FILM, 10 1/4W(3 5% TA52	
		R402	0RD4701Q609	RESISTOR, FIXED CARBON FILM, 4.70K 1/4W(3 5% TA52	
		R403	0RD4701Q609	RESISTOR, FIXED CARBON FILM, 4.70K 1/4W(3 5% TA52	
		R404	0RD1500Q609	RESISTOR, FIXED CARBON FILM, 150 1/4W(3 5% TA52	
		R405	0RD1001Q609	RESISTOR, FIXED CARBON FILM, 1K 1/4W(3 5% TA52	
		R406	0RD1001Q609	RESISTOR, FIXED CARBON FILM, 1K 1/4W(3 5% TA52	
		R407	0RD0332Q609	RESISTOR, FIXED CARBON FILM, 33 1/4W(3 5% TA52	
		R408	0RD1001Q609	RESISTOR, FIXED CARBON FILM, 1K 1/4W(3 5% TA52	
		R409	0RD1001Q609	RESISTOR, FIXED CARBON FILM, 1K 1/4W(3 5% TA52	
		R410	0RD4701Q609	RESISTOR, FIXED CARBON FILM, 4.70K 1/4W(3 5% TA52	
		R411	0RD0682Q609	RESISTOR, FIXED CARBON FILM, 68 1/4W(3 5% TA52	
		R412	0RD1000Q609	RESISTOR, FIXED CARBON FILM, 100 1/4W(3 5% TA52	
		R413	0RD0472Q609	RESISTOR, FIXED CARBON FILM, 47 1/4W(3 5% TA52	
		R414	0RD0472Q609	RESISTOR, FIXED CARBON FILM, 47 1/4W(3 5% TA52	
		R415	0RD0472Q609	RESISTOR, FIXED CARBON FILM, 47 1/4W(3 5% TA52	
		R416	0RD0472Q609	RESISTOR, FIXED CARBON FILM, 47 1/4W(3 5% TA52	
		R417	0RD0472Q609	RESISTOR, FIXED CARBON FILM, 47 1/4W(3 5% TA52	
		R418	0RD4701Q609	RESISTOR, FIXED CARBON FILM, 4.70K 1/4W(3 5% TA52	
		R419	0RD1000Q609	RESISTOR, FIXED CARBON FILM, 100 1/4W(3 5% TA52	
		R420	0RD4701Q609	RESISTOR, FIXED CARBON FILM, 4.70K 1/4W(3 5% TA52	
		R421	0RD4701Q609	RESISTOR, FIXED CARBON FILM, 4.70K 1/4W(3 5% TA52	
		R422	0RD0102Q609	RESISTOR, FIXED CARBON FILM, 10 1/4W(3 5% TA52	
		R423	0RD0102Q609	RESISTOR, FIXED CARBON FILM, 10 1/4W(3 5% TA52	
		R424	0RD0102Q609	RESISTOR, FIXED CARBON FILM, 10 1/4W(3 5% TA52	
		R425	0RD1000Q609	RESISTOR, FIXED CARBON FILM, 100 1/4W(3 5% TA52	
		R426	0RD1000Q609	RESISTOR, FIXED CARBON FILM, 100 1/4W(3 5% TA52	
		R427	0RD1002Q609	RESISTOR, FIXED CARBON FILM, 10K 1/4W(3 5% TA52	
		R428	0RD1000Q609	RESISTOR, FIXED CARBON FILM, 100 1/4W(3 5% TA52	

*S	*AL	LOC. NO.	PART NO.	DESCRIPTION / SPECIFICATION	REMARK
		R429	0RD1000Q609	RESISTOR, FIXED CARBON FILM, 100 1/4W(3 5% TA52	
		R431	0RD2001Q609	RESISTOR, FIXED CARBON FILM, 2K 1/4W(3 5% TA52	
		R432	0RD4701Q609	RESISTOR, FIXED CARBON FILM, 4.70K 1/4W(3 5% TA52	
		R433	0RD4700Q609	RESISTOR, FIXED CARBON FILM, 470 OHM 1/4 W (3.4) 5% TA52	
		R434	0RD2002Q609	RESISTOR, FIXED CARBON FILM, 20K 1/4W(3 5% TA52	
		R435	0RD5100Q609	RESISTOR, FIXED CARBON FILM, 510 1/4W(3 5% TA52	
		R436	0RD0472Q609	RESISTOR, FIXED CARBON FILM, 47 1/4W(3 5% TA52	
		R470	0RD1801Q609	RESISTOR, FIXED CARBON FILM, 1.80K 1/4W(3 5% TA52	
		R471	0RD1801Q609	RESISTOR, FIXED CARBON FILM, 1.80K 1/4W(3 5% TA52	
		R472	0RD2201Q609	RESISTOR, FIXED CARBON FILM, 2.20K 1/4W(3 5% TA52	
		R601	0RD0101A609	RESISTOR, FIXED CARBON FILM, 1 OHM 1/2 W (7.0) 5% TA52	
		R602	0RX2400K607	RESISTOR, SMALL FIX METAL FILM OXIDE, 240 OHM 2 W 5% TA62	
		R603	0RD0112A609	RESISTOR, FIXED CARBON FILM, 11 OHM 1/2 W (7.0) 5% TA52	
		R604	0RN2001F409	RESISTOR, FIXED METAL FILM, 2K 1/6W 1% TA52	
		R605	0RN0910H509	RESISTOR, FIXED METAL FILM, 0.91 1/2W 2 TA52	
		R606	0RN2001F409	RESISTOR, FIXED METAL FILM, 2K 1/6W 1% TA52	
		R607	0RD1600A609	RESISTOR, FIXED CARBON FILM, 160 OHM 1/2 W (7.0) 5% TA52	
		R608	0RD2001Q609	RESISTOR, FIXED CARBON FILM, 2K 1/4W(3 5% TA52	
		R609	0RD2001Q609	RESISTOR, FIXED CARBON FILM, 2K 1/4W(3 5% TA52	
		R610	0RN0470H609	RESISTOR, FIXED METAL FILM, 0.47 1/2W 5 TA52	
		R651	0RD1002Q509	RESISTOR, FIXED CARBON FILM, 10K OHM 1/4 W (3.4) 2% TA52	
		R652	0RN8201F409	RESISTOR, FIXED METAL FILM, 8.20K 1/6W 1% TA52	
		R653	0RD7502Q609	RESISTOR, FIXED CARBON FILM, 75K 1/4W(3 5% TA52	
		R654	0RD1002Q609	RESISTOR, FIXED CARBON FILM, 10K 1/4W(3 5% TA52	
		R655	0RD0102Q609	RESISTOR, FIXED CARBON FILM, 10 1/4W(3 5% TA52	
		R656	0RD1000Q609	RESISTOR, FIXED CARBON FILM, 100 1/4W(3 5% TA52	
		R701	0RD6801Q609	RESISTOR, FIXED CARBON FILM, 6.80K 1/4W(3 5% TA52	
		R702	0RD1002Q609	RESISTOR, FIXED CARBON FILM, 10K 1/4W(3 5% TA52	
		R703	0RN4702F409	RESISTOR, FIXED METAL FILM, 47K 1/6W 1% TA52	
		R704	0RN4702F409	RESISTOR, FIXED METAL FILM, 47K 1/6W 1% TA52	
		R705	0RD0471Q609	RESISTOR, FIXED CARBON FILM, 4.70 1/4W(3 5% TA52	
		R706	0RN2002F409	RESISTOR, FIXED METAL FILM, 20K 1/6W 1% TA52	
		R707	0RD0102Q609	RESISTOR, FIXED CARBON FILM, 10 1/4W(3 5% TA52	
		R708	0RD1001Q609	RESISTOR, FIXED CARBON FILM, 1K 1/4W(3 5% TA52	
		R709	0RD1001Q609	RESISTOR, FIXED CARBON FILM, 1K 1/4W(3 5% TA52	
		R710	0RD0102Q609	RESISTOR, FIXED CARBON FILM, 10 1/4W(3 5% TA52	
		R711	0RD0102Q609	RESISTOR, FIXED CARBON FILM, 10 1/4W(3 5% TA52	
		R712	0RD0222Q609	RESISTOR, FIXED CARBON FILM, 22 1/4W(3 5% TA52	
		R713	0RD0471Q609	RESISTOR, FIXED CARBON FILM, 4.70 1/4W(3 5% TA52	
		R714	0RD5601Q609	RESISTOR, FIXED CARBON FILM, 5.60K 1/4W(3 5% TA52	
		R715	0RD3301Q609	RESISTOR, FIXED CARBON FILM, 3.30K 1/4W(3 5% TA52	
		R716	0RD0102Q609	RESISTOR, FIXED CARBON FILM, 10 1/4W(3 5% TA52	
		R717	0RD4301Q609	RESISTOR, FIXED CARBON FILM, 4.30K 1/4W(3 5% TA52	
		R718	0RD0472Q609	RESISTOR, FIXED CARBON FILM, 47 1/4W(3 5% TA52	
		R719	0RD0472Q609	RESISTOR, FIXED CARBON FILM, 47 1/4W(3 5% TA52	
		R720	0RD2202Q609	RESISTOR, FIXED CARBON FILM, 22K 1/4W(3 5% TA52	
		R721	0RD3301Q609	RESISTOR, FIXED CARBON FILM, 3.30K 1/4W(3 5% TA52	
		R722	0RN6800F409	RESISTOR, FIXED METAL FILM, 680 1/6W 1% TA52	
		R723	0RN2701F409	RESISTOR, FIXED METAL FILM, 2.70K 1/6W 1% TA52	
		R725	0RD2001Q609	RESISTOR, FIXED CARBON FILM, 2K 1/4W(3 5% TA52	
		R726	0RD3001Q609	RESISTOR, FIXED CARBON FILM, 3K 1/4W(3 5% TA52	
		R727	0RD4700Q609	RESISTOR, FIXED CARBON FILM, 470 OHM 1/4 W (3.4) 5% TA52	
		R728	0RD2001A609	RESISTOR, FIXED CARBON FILM, 2.0K OHM 1/2 W (7.0) 5% TA52	
		R729	0RD1002Q609	RESISTOR, FIXED CARBON FILM, 10K 1/4W(3 5% TA52	
		R730	0RD1803Q609	RESISTOR, FIXED CARBON FILM, 180K 1/4W(3 5% TA52	
		R731	0RD2001Q609	RESISTOR, FIXED CARBON FILM, 2K 1/4W(3 5% TA52	
		R732	0RD4700Q609	RESISTOR, FIXED CARBON FILM, 470 OHM 1/4 W (3.4) 5% TA52	
		R733	0RD1002Q609	RESISTOR, FIXED CARBON FILM, 10K 1/4W(3 5% TA52	
		R734	0RD5601Q609	RESISTOR, FIXED CARBON FILM, 5.60K 1/4W(3 5% TA52	
		R735	0RD1003Q609	RESISTOR, FIXED CARBON FILM, 100K 1/4W(3 5% TA52	
		R736	0RD3002Q609	RESISTOR, FIXED CARBON FILM, 30K 1/4W(3 5% TA52	
		R737	0RD4700Q609	RESISTOR, FIXED CARBON FILM, 470 OHM 1/4 W (3.4) 5% TA52	
		R738	0RD1003Q609	RESISTOR, FIXED CARBON FILM, 100K 1/4W(3 5% TA52	
		R739	0RD1503Q609	RESISTOR, FIXED CARBON FILM, 150K 1/4W(3 5% TA52	
		R740	0RD1000Q609	RESISTOR, FIXED CARBON FILM, 100 1/4W(3 5% TA52	
		R741	0RD3903Q609	RESISTOR, FIXED CARBON FILM, 390K 1/4W(3 5% TA52	

*S	*AL	LOC. NO.	PART NO.	DESCRIPTION / SPECIFICATION	REMARK
		R742	0RD3301Q609	RESISTOR, FIXED CARBON FILM, 3.30K 1/4W(3 5% TA52	
		R743	0RD5602Q609	RESISTOR, FIXED CARBON FILM, 56K 1/4W(3 5% TA52	
		R744	0RD1004Q609	RESISTOR, FIXED CARBON FILM, 1M OHM 1/4 W (3.4) 5% TA52	
		R745	0RD1004Q609	RESISTOR, FIXED CARBON FILM, 1M OHM 1/4 W (3.4) 5% TA52	
		R746	0RD1004Q609	RESISTOR, FIXED CARBON FILM, 1M OHM 1/4 W (3.4) 5% TA52	
		R747	0RD1004Q609	RESISTOR, FIXED CARBON FILM, 1M OHM 1/4 W (3.4) 5% TA52	
		R748	0RD4701Q609	RESISTOR, FIXED CARBON FILM, 4.70K 1/4W(3 5% TA52	
		R749	0RD4701Q609	RESISTOR, FIXED CARBON FILM, 4.70K 1/4W(3 5% TA52	
		R750	0RD4701Q609	RESISTOR, FIXED CARBON FILM, 4.70K 1/4W(3 5% TA52	
		R751	0RD3001Q609	RESISTOR, FIXED CARBON FILM, 3K 1/4W(3 5% TA52	
		R752	0RD6802Q609	RESISTOR, FIXED CARBON FILM, 68K 1/4W(3 5% TA52	
		R753	0RD5602Q609	RESISTOR, FIXED CARBON FILM, 56K 1/4W(3 5% TA52	
		R754	0RD4701Q609	RESISTOR, FIXED CARBON FILM, 4.70K 1/4W(3 5% TA52	
		R755	0RD5602Q609	RESISTOR, FIXED CARBON FILM, 56K 1/4W(3 5% TA52	
		R756	0RD2402Q609	RESISTOR, FIXED CARBON FILM, 24K 1/4W(3 5% TA52	
		R757	0RD1303Q609	RESISTOR, FIXED CARBON FILM, 130K 1/4W(3 5% TA52	
		R758	0RD1000Q609	RESISTOR, FIXED CARBON FILM, 100 1/4W(3 5% TA52	
		R759	0RD4702Q609	RESISTOR, FIXED CARBON FILM, 47K 1/4W(3 5% TA52	
		R760	0RD2701Q609	RESISTOR, FIXED CARBON FILM, 2.70K 1/4W(3 5% TA52	
		R761	0RD0471A609	RESISTOR, FIXED CARBON FILM, 4.7 OHM 1/2 W (7.0) 5% TA52	
		R762	0RX2200K607	RESISTOR, SMALL FIX METAL FILM OXIDE, 220 OHM 2 W 5% TA62	
		R763	0RD5601Q609	RESISTOR, FIXED CARBON FILM, 5.60K 1/4W(3 5% TA52	
		R764	0RX0201K607	RESISTOR, SMALL FIX METAL FILM OXIDE, 2.0 OHM 2 W 5% TA62	
		R765	0RX0201K607	RESISTOR, SMALL FIX METAL FILM OXIDE, 2.0 OHM 2 W 5% TA62	
		R766	0RD0332A609	RESISTOR, FIXED CARBON FILM, 33 OHM 1/2 W (7.0) 5% TA52	
		R767	0RD3000A609	RESISTOR, FIXED CARBON FILM, 300 OHM 1/2 W (7.0) 5% TA52	
		R768	0RX0472K607	RESISTOR, SMALL FIX METAL FILM OXIDE, 47 OHM 2 W 5% TA62	
		R769	0RD0471A609	RESISTOR, FIXED CARBON FILM, 4.7 OHM 1/2 W (7.0) 5% TA52	
		R770	0RX1800K607	RESISTOR, SMALL FIX METAL FILM OXIDE, 180 OHM 2 W 5% TA62	
		R771	0RD0472Q609	RESISTOR, FIXED CARBON FILM, 47 1/4W(3 5% TA52	
		R772	0RD1002Q609	RESISTOR, FIXED CARBON FILM, 10K 1/4W(3 5% TA52	
		R773	0RD1004Q609	RESISTOR, FIXED CARBON FILM, 1M OHM 1/4 W (3.4) 5% TA52	
		R774	0RMZTWD001C	RESISTOR, CEMENT, 47 OHM 7 W 5% RWR PD-TYPE	
		R775	0RD2203Q609	RESISTOR, FIXED CARBON FILM, 220K 1/4W(3 5% TA52	
		R778	0RMZTNV001A	RESISTOR, CEMENT, 3.3 OHM 5 W 5% B ,RWN,V-TYPE	
		R779	0RD5601Q609	RESISTOR, FIXED CARBON FILM, 5.60K 1/4W(3 5% TA52	
		R780	0RD5602Q609	RESISTOR, FIXED CARBON FILM, 56K 1/4W(3 5% TA52	
		R781	0RD7501Q609	RESISTOR, FIXED CARBON FILM, 7.50K 1/4W(3 5% TA52	
		R782	0RD1002Q609	RESISTOR, FIXED CARBON FILM, 10K 1/4W(3 5% TA52	
		R783	0RD2401Q609	RESISTOR, FIXED CARBON FILM, 2.40K 1/4W(3 5% TA52	
		R784	0RD1001Q609	RESISTOR, FIXED CARBON FILM, 1K 1/4W(3 5% TA52	
		R785	0RD1000Q609	RESISTOR, FIXED CARBON FILM, 100 1/4W(3 5% TA52	
		R786	0RX1001J609	RESISTOR, SMALL FIX METAL FILM OXIDE, 1K OHM 1 W 5% TA52	
		R787	0RD0102Q609	RESISTOR, FIXED CARBON FILM, 10 1/4W(3 5% TA52	
		R789	0RD3300Q609	RESISTOR, FIXED CARBON FILM, 330 1/4W(3 5% TA52	
△		R790	0RD3003Q509	RESISTOR, FIXED CARBON FILM, 300K OHM 1/4 W (3.4) 2% TA52	
		R791	0RD1001Q609	RESISTOR, FIXED CARBON FILM, 1K 1/4W(3 5% TA52	
		R792	0RN1002F409	RESISTOR, FIXED METAL FILM, 10K 1/6W 1 TA52	
		R794	0RD5601Q609	RESISTOR, FIXED CARBON FILM, 5.60K 1/4W(3 5% TA52	
		R795	0RD3000Q609	RESISTOR, FIXED CARBON FILM, 300 1/4W(3 5% TA52	
		R796	0RD1001Q609	RESISTOR, FIXED CARBON FILM, 1K 1/4W(3 5% TA52	
		R797	0RB0150K609	RESISTOR, FIX WIRE-WOUND PRECISION, 0.15 OHM 2 W 5% TA52	
		R799	0RD1002Q609	RESISTOR, FIXED CARBON FILM, 10K 1/4W(3 5% TA52	
		R801	0RD2201Q609	RESISTOR, FIXED CARBON FILM, 2.20K 1/4W(3 5% TA52	
		R802	0RD5601Q609	RESISTOR, FIXED CARBON FILM, 5.60K 1/4W(3 5% TA52	
		R803	0RD2001Q609	RESISTOR, FIXED CARBON FILM, 2K 1/4W(3 5% TA52	
		R804	0RD3303Q609	RESISTOR, FIXED CARBON FILM, 330K 1/4W(3 5% TA52	
		R805	0RD2700Q609	RESISTOR, FIXED CARBON FILM, 270 1/4W(3 5% TA52	
△		R806	0RD2200Q609	RESISTOR, FIXED CARBON FILM, 220 1/4W(3 5% TA52	
△		R807	0RD1001Q609	RESISTOR, FIXED CARBON FILM, 1K 1/4W(3 5% TA52	
		R809	0RD1102Q609	RESISTOR, FIXED CARBON FILM, 11K 1/4W(3 5% TA52	
		R811	0RD1001Q609	RESISTOR, FIXED CARBON FILM, 1K 1/4W(3 5% TA52	
		R812	0RX1203K607	RESISTOR, SMALL FIX METAL FILM OXIDE, 120K OHM 2 W 5% TA62	
		R813	0RD3002Q509	RESISTOR, FIXED CARBON FILM, 30000 OHM 1/4 W (3.4) 2% TA52	
		R814	0RD7501Q609	RESISTOR, FIXED CARBON FILM, 7.50K 1/4W(3 5% TA52	
		R816	0RD7501A609	RESISTOR, FIXED CARBON FILM, 7.5K OHM 1/2 W (7.0) 5% TA52	

*S	*AL	LOC. NO.	PART NO.	DESCRIPTION / SPECIFICATION	REMARK
		R817	0RX1203K607	RESISTOR, SMALL FIX METAL FILM OXIDE, 120K OHM 2 W 5% TA62	
		R818	0RX1203K607	RESISTOR, SMALL FIX METAL FILM OXIDE, 120K OHM 2 W 5% TA62	
		R823	ORD4701Q609	RESISTOR, FIXED CARBON FILM, 4.70K 1/4W(3 5% TA52	
△		R825	0RN1002F409	RESISTOR, FIXED METAL FILM, 10K 1/6W 1 TA52	
△		R826	0RN1002F409	RESISTOR, FIXED METAL FILM, 10K 1/6W 1 TA52	
		R827	ORD3301Q609	RESISTOR, FIXED CARBON FILM, 3.30K 1/4W(3 5% TA52	
△		R828	ORD5600Q609	RESISTOR, FIXED CARBON FILM, 560 1/4W(3 5% TA52	
△		R829	ORD1000Q609	RESISTOR, FIXED CARBON FILM, 100 1/4W(3 5% TA52	
		R830	ORD1004A609	RESISTOR, FIXED CARBON FILM, 1.0M OHM 1/2 W (7.0) 5% TA52	
△		R831	ORD7501Q509	RESISTOR, FIXED CARBON FILM, 7.5K OHM 1/4 W (3.4) 2% TA52	
		R832	ORD4701Q609	RESISTOR, FIXED CARBON FILM, 4.70K 1/4W(3 5% TA52	
		R833	ORD1002Q609	RESISTOR, FIXED CARBON FILM, 10K 1/4W(3 5% TA52	
		R834	ORD8201Q609	RESISTOR, FIXED CARBON FILM, 8.20K 1/4W(3 5% TA52	
		R835	ORD5101Q609	RESISTOR, FIXED CARBON FILM, 5.10K 1/4W(3 5% TA52	
		R836	ORD3300Q609	RESISTOR, FIXED CARBON FILM, 330 1/4W(3 5% TA52	
		R837	ORD1500Q609	RESISTOR, FIXED CARBON FILM, 150 1/4W(3 5% TA52	
		R901	180-465H	RESISTOR, CEMENT, 0.24 OHM 5W 5% B RWR	
		R903	0RX7502J609	RESISTOR, SMALL FIX METAL FILM OXIDE, 75K OHM 1 W 5% TA52	
		R904	ORD2000Q609	RESISTOR, FIXED CARBON FILM, 200 1/4W(3 5% TA52	
		R905	ORD1004Q609	RESISTOR, FIXED CARBON FILM, 1M OHM 1/4 W (3.4) 5% TA52	
		R906	0RB0100K607	RESISTOR, FIX WIRE-WOUND PRECISION, 0.1 OHM 2 W 5% TA62	
		R907	ORD0122Q609	RESISTOR, FIXED CARBON FILM, 12 1/4W(3 5% TA52	
		R908	ORD1303A609	RESISTOR, FIXED CARBON FILM, 130K OHM 1/2 W (7.0) 5% TA52	
		R909	ORD3302Q609	RESISTOR, FIXED CARBON FILM, 33K 1/4W(3 5% TA52	
		R910	0RN1502F409	RESISTOR, FIXED METAL FILM, 15K 1/6W 1% TA52	
△		R911	0RN1303H409	RESISTOR, FIXED METAL FILM, 130K OHM 1/2 W 1% TA52	
		R912	0RN5101F409	RESISTOR, FIXED METAL FILM, 5.10K 1/6W 1% TA52	
		R913	ORD4701Q609	RESISTOR, FIXED CARBON FILM, 4.70K 1/4W(3 5% TA52	
		R914	ORD1001Q609	RESISTOR, FIXED CARBON FILM, 1K 1/4W(3 5% TA52	
		R915	0RN1801F409	RESISTOR, FIXED METAL FILM, 1.80K 1/6W 1% TA52	
		R916	ORD3901Q609	RESISTOR, FIXED CARBON FILM, 3.90K 1/4W(3 5% TA52	
		R917	ORD1002Q609	RESISTOR, FIXED CARBON FILM, 10K 1/4W(3 5% TA52	
		R918	ORD2002A609	RESISTOR, FIXED CARBON FILM, 20K OHM 1/2 W (7.0) 5% TA52	
		R919	ORD1004Q609	RESISTOR, FIXED CARBON FILM, 1M OHM 1/4 W (3.4) 5% TA52	
		R920	ORD1003Q609	RESISTOR, FIXED CARBON FILM, 100K 1/4W(3 5% TA52	
		R921	ORD1501Q609	RESISTOR, FIXED CARBON FILM, 1.50K 1/4W(3 5% TA52	
		R922	ORD0101A609	RESISTOR, FIXED CARBON FILM, 1 OHM 1/2 W (7.0) 5% TA52	
		R923	ORD1003A609	RESISTOR, FIXED CARBON FILM, 100K OHM 1/2 W (7.0) 5% TA52	
		R924	ORD1003A609	RESISTOR, FIXED CARBON FILM, 100K OHM 1/2 W (7.0) 5% TA52	
		R925	ORD2700Q609	RESISTOR, FIXED CARBON FILM, 270 1/4W(3 5% TA52	
		R926	ORD0202Q609	RESISTOR, FIXED CARBON FILM, 20 1/4W(3 5% TA52	
		R927	ORD0472A609	RESISTOR, FIXED CARBON FILM, 47 OHM 1/2 W (7.0) 5% TA52	
		R928	ORD1303A609	RESISTOR, FIXED CARBON FILM, 130K OHM 1/2 W (7.0) 5% TA52	
		R930	ORD1002Q609	RESISTOR, FIXED CARBON FILM, 10K 1/4W(3 5% TA52	
		R931	ORD0102Q609	RESISTOR, FIXED CARBON FILM, 10 1/4W(3 5% TA52	
		R932	0RX1302J609	RESISTOR, SMALL FIX METAL FILM OXIDE, 13KOHM 1 W 5% TA52	
		R933	0RX0391J609	RESISTOR, SMALL FIX METAL FILM OXIDE, 3.9 OHM 1 W 5% TA52	
		R934	ORD4701Q609	RESISTOR, FIXED CARBON FILM, 4.70K 1/4W(3 5% TA52	
		R935	ORD2200A609	RESISTOR, FIXED CARBON FILM, 220 OHM 1/2 W (7.0) 5% TA52	
		R936	ORD4701Q609	RESISTOR, FIXED CARBON FILM, 4.70K 1/4W(3 5% TA52	
		R937	ORD1002Q609	RESISTOR, FIXED CARBON FILM, 10K 1/4W(3 5% TA52	
		R938	ORD1200Q609	RESISTOR, FIXED CARBON FILM, 120 1/4W(3 5% TA52	
		R939	971-0054	WIRE,J UMP, TIN 50MM TAPING	
		R940	0RX0471K607	RESISTOR, SMALL FIX METAL FILM OXIDE, 4.7 OHM 2 W 5% TA62	
		R942	ORD1001Q609	RESISTOR, FIXED CARBON FILM, 1K 1/4W(3 5% TA52	
		R943	ORD2002Q609	RESISTOR, FIXED CARBON FILM, 20K 1/4W(3 5% TA52	
		R944	ORD7501Q609	RESISTOR, FIXED CARBON FILM, 7.50K 1/4W(3 5% TA52	
OTHERs					
		F901	131-040E	FUSE,TIME LAG, 5A 250V HBC UL/CSA TRIAD	
		RL701	141-014B	RELAY,DC, UT205-12SC YUYU 250VAC 5A 12V 30MA 400 OHM 1C	
		RL901	141-039A	RELAY,DC, JW2HN-DC12V MATSUSHITA 250VAC 5A 12V 44MA 270 OHM	
		SC901	6200TJB001E	FILTER(CIRC), EMI, 02MP2 DELTA .	
		SG701	165-004A	SPARK GAP, RADIAL, AG20PT 152F-L3N/S-23 HANDOK RADIAL BULK	
△		T701	6174Z-1018E	FBT (FLY BACK TRANSFORMER), FMMTC61-M1018E MNT (LIM SANG IL)	
		T702	151-515A	TRANSFORMER,HORIZONTAL DRIVER, EI 2519 4.5MH CF201	

*S	*AL	LOC. NO.	PART NO.	DESCRIPTION / SPECIFICATION	REMARK
		T703	6140TDZ004B	COIL,DUMMY, EER2834 1.5MH CB995C	
		T901	6170TMZ076A	TRANSFORMER,SMPS, EER4445S 120 UH V-18PIN CB995C NY/JS .	
		T902	151-414E	TRANSFORMER,PULSE, UU1116 8.8MH PLUSE	
		TH901	6322TB070AA	THERMISTOR,PTC, J503P63D070M290S JA HWA +/- 20% 220V -10/+85 P6	
		TH902	6322TA080AB	THERMISTOR,NTC, TP8D15 DAEWOO +/- 15% 110/220V -20/+170 3100	
		VR701	180-035L	VOLUME, EVN-DJAA03B53 (MEC),5KB	
		VR901	180-035D	VOLUME, EVN-DJAA03B32 (MEC),300B	
		WG1	387-P91A	CONNECTOR ASSY, UL1015 AWG22	
		X401	6202TTB001A	CRYSTAL, HC-49/U SUNNY E 6.000000MHZ 30PPM 16PF BK	

VIDEO BOARD**CAPACITORS**

		C302	0CH6102K406	CAPACITOR, CHIP[CERAMIC LD-LESS TC],1000PF 50V J SL 2012 R/TP	
		C303	0CH6221K416	CAPACITOR, CHIP[CERAMIC LD-LESS TC], 220PF 50V J NP0 2012 R/TP	
		C304	0CH6221K416	CAPACITOR, CHIP[CERAMIC LD-LESS TC], 220PF 50V J NP0 2012 R/TP	
		C305	0CE1076D618	CAPACITOR, AL.ELECTROLYTIC, 100M SMS 10V M FM5 TP(5)	
		C306	0CH3104K946	CAPACITOR, CHIP[CERAMIC LD-LESS HD], 100000PF 50V Z F 2012 R/TP	
		C307	0CE1076D618	CAPACITOR, AL.ELECTROLYTIC, 100M SMS 10V M FM5 TP(5)	
		C308	0CE1076D618	CAPACITOR, AL.ELECTROLYTIC, 100M SMS 10V M FM5 TP(5)	
		C309	0CK1040K945	CAPACITOR, CERAMIC (HIGH DIELECTRIC), 0.1UF 50V Z F TR	
		C310	0CE3356K618	CAPACITOR, AL.ELECTROLYTIC, 3.3U SMS 50V M FM5 TP5	
		C311	0CE3356K618	CAPACITOR, AL.ELECTROLYTIC, 3.3U SMS 50V M FM5 TP5	
		C312	0CE3356K618	CAPACITOR, AL.ELECTROLYTIC, 3.3U SMS 50V M FM5 TP5	
		C313	0CE1076F618	CAPACITOR, AL.ELECTROLYTIC, 100UF SMS 16V M TP(5)	
		C314	0CH3103K516	CAPACITOR, CHIP[CERAMIC LD-LESS HD], 10000PF 50V K B 2012 R/TP	
		C315	0CH3103K516	CAPACITOR, CHIP[CERAMIC LD-LESS HD], 10000PF 50V K B 2012 R/TP	
		C316	0CH3103K516	CAPACITOR, CHIP[CERAMIC LD-LESS HD], 10000PF 50V K B 2012 R/TP	
		C317	0CE1076F618	CAPACITOR, AL.ELECTROLYTIC, 100UF SMS 16V M TP(5)	
		C318	181-288B	CAPACITOR, POLYESTER, MKT 100V 104JTR PHS26104	
		C319	0CH3104K946	CAPACITOR, CHIP[CERAMIC LD-LESS HD], 100000PF 50V Z F 2012 R/TP	
		C320	0CH3104K946	CAPACITOR, CHIP[CERAMIC LD-LESS HD], 100000PF 50V Z F 2012 R/TP	
		C321	0CH3104K946	CAPACITOR, CHIP[CERAMIC LD-LESS HD], 100000PF 50V Z F 2012 R/TP	
		C322	0CE1076F618	CAPACITOR, AL.ELECTROLYTIC, 100UF SMS 16V M TP(5)	
		C323	0CH3104K946	CAPACITOR, CHIP[CERAMIC LD-LESS HD], 100000PF 50V Z F 2012 R/TP	
		C324	0CH3104K946	CAPACITOR, CHIP[CERAMIC LD-LESS HD], 100000PF 50V Z F 2012 R/TP	
		C325	0CN1040K949	CAPACITOR, TUBULAR(HIGH DIELEC), 0.1M 50V Z F TA52	
		C326	181-288E	CAPACITOR, POLYESTER, MKT 100V 474JTR PHS 26474	
		C327	0CE2266N618	CAPACITOR, AL.ELECTROLYTIC, 22M SMS 100V M FM5 TP5	
		C328	181-288E	CAPACITOR, POLYESTER, MKT 100V 474JTR PHS 26474	
		C329	181-288E	CAPACITOR, POLYESTER, MKT 100V 474JTR PHS 26474	
		C330	181-288E	CAPACITOR, POLYESTER, MKT 100V 474JTR PHS 26474	
		C331	0CE226CP630	CAPACITOR, AL.ELECTROLYTIC, 22U SHL 160V M FM5	
		C332	0CK3320W515	CAPACITOR, CERAMIC (HIGH DIELECTRIC), 3300P 500V K B TS	
		C333	181-288E	CAPACITOR, POLYESTER, MKT 100V 474JTR PHS 26474	
		C3330	0CE3356K618	CAPACITOR, AL.ELECTROLYTIC, 3.3U SMS 50V M FM5 TP5	
		C334	0CE2266N618	CAPACITOR, AL.ELECTROLYTIC, 22M SMS 100V M FM5 TP5	
		C335	0CE1076F618	CAPACITOR, AL.ELECTROLYTIC, 100UF SMS 16V M TP(5)	
		C336	0CH3104K946	CAPACITOR, CHIP[CERAMIC LD-LESS HD], 100000PF 50V Z F 2012 R/TP	
		C337	0CE1056P618	CAPACITOR, AL.ELECTROLYTIC, 1U SMS 160V M FM5 TP5	
		C338	0CE1056P618	CAPACITOR, AL.ELECTROLYTIC, 1U SMS 160V M FM5 TP5	
		C339	0CE1056P618	CAPACITOR, AL.ELECTROLYTIC, 1U SMS 160V M FM5 TP5	
		C340	0CH3104K946	CAPACITOR, CHIP[CERAMIC LD-LESS HD], 100000PF 50V Z F 2012 R/TP	
		C341	0CH3104K946	CAPACITOR, CHIP[CERAMIC LD-LESS HD], 100000PF 50V Z F 2012 R/TP	
		C342	0CH3104K946	CAPACITOR, CHIP[CERAMIC LD-LESS HD], 100000PF 50V Z F 2012 R/TP	
		C343	181-288E	CAPACITOR, POLYESTER, MKT 100V 474JTR PHS 26474	
		C344	0CH3104K946	CAPACITOR, CHIP[CERAMIC LD-LESS HD], 100000PF 50V Z F 2012 R/TP	
		C345	0CK4710W515	CAPACITOR, CERAMIC (HIGH DIELECTRIC), 470P 500V K B TS	
		C346	0CC4700W405	CAPACITOR, CERAMIC (TEMP. COMPENSATE), 47PF 500V J SL TP	
		C347	0CK10301510	CAPACITOR, CERAMIC (HIGH DIELECTRIC), 0.01M 1KV K B S	
		C348	0CH3104K946	CAPACITOR, CHIP[CERAMIC LD-LESS HD], 100000PF 50V Z F 2012 R/TP	
		C349	0CH3104K946	CAPACITOR, CHIP[CERAMIC LD-LESS HD], 100000PF 50V Z F 2012 R/TP	
		C350	0CH3104K946	CAPACITOR, CHIP[CERAMIC LD-LESS HD], 100000PF 50V Z F 2012 R/TP	
		C353	0CH3104K946	CAPACITOR, CHIP[CERAMIC LD-LESS HD], 100000PF 50V Z F 2012 R/TP	
		C354	0CH3104K946	CAPACITOR, CHIP[CERAMIC LD-LESS HD], 100000PF 50V Z F 2012 R/TP	
		C355	0CE1056P618	CAPACITOR, AL.ELECTROLYTIC, 1U SMS 160V M FM5 TP5	
		C356	0CN1040K949	CAPACITOR, TUBULAR(HIGH DIELEC), 0.1M 50V Z F TA52	

*S	*AL	LOC. NO.	PART NO.	DESCRIPTION / SPECIFICATION	REMARK
		C357	181-288B	CAPACITOR, POLYESTER, MKT 100V 104JTR PHS26104	
		C358	181-288E	CAPACITOR, POLYESTER, MKT 100V 474JTR PHS 26474	
		C360	0CH3104K946	CAPACITOR, CHIP[CERAMIC LD-LESS HD], 100000PF 50V Z F 2012 R/TP	
		C361	0CK3320W515	CAPACITOR, CERAMIC (HIGH DIELECTRIC), 3300P 500V K B TS	
		C362	0CH3104K946	CAPACITOR, CHIP[CERAMIC LD-LESS HD], 100000PF 50V Z F 2012 R/TP	
		C363	0CE226EN638	CAPACITOR, AL.ELECTROLYTIC, 22UF KMG 100V M FM5 TP 5	
		C364	0CN1040K949	CAPACITOR, TUBULAR(HIGH DIELEC), 0.1M 50V Z F TA52	
		C365	0CH3104K946	CAPACITOR, CHIP[CERAMIC LD-LESS HD], 100000PF 50V Z F 2012 R/TP	
		C366	181-288E	CAPACITOR, POLYESTER, MKT 100V 474JTR PHS 26474	
		C367	0CK10301510	CAPACITOR, CERAMIC (HIGH DIELECTRIC), 0.01M 1KV K B S	
		C368	0CE226EN618	CAPACITOR, AL.ELECTROLYTIC, 22M SMS 100V M FM5 TP5	
		C369	0CH3104K946	CAPACITOR, CHIP[CERAMIC LD-LESS HD], 100000PF 50V Z F 2012 R/TP	
		C370	0CH3104K946	CAPACITOR, CHIP[CERAMIC LD-LESS HD], 100000PF 50V Z F 2012 R/TP	
		C371	0CE107BF638	CAPACITOR, AL.ELECTROLYTIC, 100UF KME 16V M FM5 TP5	
		C372	181-288E	CAPACITOR, POLYESTER, MKT 100V 474JTR PHS 26474	
		C373	0CH3104K946	CAPACITOR, CHIP[CERAMIC LD-LESS HD], 100000PF 50V Z F 2012 R/TP	
		C374	0CK1040K945	CAPACITOR, CERAMIC (HIGH DIELECTRIC), 0.1UF 50V Z F TR	
		C375	0CH3104K946	CAPACITOR, CHIP[CERAMIC LD-LESS HD], 100000PF 50V Z F 2012 R/TP	
		C376	0CK3320W515	CAPACITOR, CERAMIC (HIGH DIELECTRIC), 3300P 500V K B TS	
		C377	0CK3320W515	CAPACITOR, CERAMIC (HIGH DIELECTRIC), 3300P 500V K B TS	
		C378	0CK3320W515	CAPACITOR, CERAMIC (HIGH DIELECTRIC), 3300P 500V K B TS	
		C379	0CC4700W405	CAPACITOR, CERAMIC (TEMP. COMPENSATE), 47PF 500V J SL TP	
		C380	0CH3104K946	CAPACITOR, CHIP[CERAMIC LD-LESS HD], 100000PF 50V Z F 2012 R/TP	
		C381	0CH3104K946	CAPACITOR, CHIP[CERAMIC LD-LESS HD], 100000PF 50V Z F 2012 R/TP	
		C382	0CH3104K946	CAPACITOR, CHIP[CERAMIC LD-LESS HD], 100000PF 50V Z F 2012 R/TP	
		C383	0CH6102K406	CAPACITOR, CHIP[CERAMIC LD-LESS TC], 1000PF 50V J SL 2012 R/TP	
		C384	0CH6102K406	CAPACITOR, CHIP[CERAMIC LD-LESS TC], 1000PF 50V J SL 2012 R/TP	
		C385	0CH6102K406	CAPACITOR, CHIP[CERAMIC LD-LESS TC], 1000PF 50V J SL 2012 R/TP	
		C386	0CH6102K406	CAPACITOR, CHIP[CERAMIC LD-LESS TC], 1000PF 50V J SL 2012 R/TP	
		C391	0CH3104K946	CAPACITOR, CHIP[CERAMIC LD-LESS HD], 100000PF 50V Z F 2012 R/TP	
		C392	0CH6330K416	CAPACITOR, CHIP[CERAMIC LD-LESS TC], 33PF 50V J NPO 2012 R/TP	
		C393	0CH3103K516	CAPACITOR, CHIP[CERAMIC LD-LESS HD], 10000PF 50V K B 2012 R/TP	
		C394	0CH3104K946	CAPACITOR, CHIP[CERAMIC LD-LESS HD], 100000PF 50V Z F 2012 R/TP	
		C395	0CE3356K618	CAPACITOR, AL.ELECTROLYTIC, 3.3U SMS 50V M FM5 TP5	
DIODEs					
		D301	0DS113309AA	DIODE, SWITCHING, 1SS133 TP ROHM KOREA DO34 90V 0.4A 0.6A 4.0NSEC	
		D302	0DS113309AA	DIODE, SWITCHING, 1SS133 TP ROHM KOREA DO34 90V 0.4A 0.6A 4.0NSEC	
		D303	0DS113309AA	DIODE, SWITCHING, 1SS133 TP ROHM KOREA DO34 90V 0.4A 0.6A 4.0NSEC	
		D304	0DS113309AA	DIODE, SWITCHING, 1SS133 TP ROHM KOREA DO34 90V 0.4A 0.6A 4.0NSEC	
		D305	0DS113309AA	DIODE, SWITCHING, 1SS133 TP ROHM KOREA DO34 90V 0.4A 0.6A 4.0NSEC	
		D306	0DS113309AA	DIODE, SWITCHING, 1SS133 TP ROHM KOREA DO34 90V 0.4A 0.6A 4.0NSEC	
		D307	0DS124409AA	DIODE, SWITCHING, 1SS244 TP ROHM KOREA	
		D308	0DS124409AA	DIODE, SWITCHING, 1SS244 TP ROHM KOREA	
		D309	0DS124409AA	DIODE, SWITCHING, 1SS244 TP ROHM KOREA	
		D310	0DS124409AA	DIODE, SWITCHING, 1SS244 TP ROHM KOREA	
		D311	0DS124409AA	DIODE, SWITCHING, 1SS244 TP ROHM KOREA	
		D312	0DS124409AA	DIODE, SWITCHING, 1SS244 TP ROHM KOREA	
		D313	0DS124409AA	DIODE, SWITCHING, 1SS244 TP ROHM KOREA	
		D314	0DS124409AA	DIODE, SWITCHING, 1SS244 TP ROHM KOREA	
		D315	0DS124409AA	DIODE, SWITCHING, 1SS244 TP ROHM KOREA	
		D318	0DS113309AA	DIODE, SWITCHING, 1SS133 TP ROHM KOREA DO34 90V 0.4A 0.6A 4.0NSEC	
		D319	0DS113309AA	DIODE, SWITCHING, 1SS133 TP ROHM KOREA DO34 90V 0.4A 0.6A 4.0NSEC	
		D320	0DS113309AA	DIODE, SWITCHING, 1SS133 TP ROHM KOREA DO34 90V 0.4A 0.6A 4.0NSEC	
		D391	0DS113309AA	DIODE, SWITCHING, 1SS133 TP ROHM KOREA DO34 90V 0.4A 0.6A 4.0NSEC	
		ZD301	0DZ560009CE	DIODE, ZENER, MTZJ5.6B TP ROHM-K DO34 500MW 5.6V 5MA 26MM	
ICs					
		IC301	0IMO458520A	IC, MOTOROLA, "LSC4585P2 24-P PDIP BK OSD(PWM) 19"" VSC,GW"	
		IC302	0IMI527430B	IC, MITSUBISHI, M52743BSP 36P,SDIP BK 3CH VIDEO PREAMP	
COILs & COREs					
		L301	0LA0270K119	INDUCTOR, AXIAL LEAD, 0.27UH K 2.3*3.4 TP	
		L302	0LA0270K119	INDUCTOR, AXIAL LEAD, 0.27UH K 2.3*3.4 TP	
		L303	0LA0270K119	INDUCTOR, AXIAL LEAD, 0.27UH K 2.3*3.4 TP	

*S	*AL	LOC. NO.	PART NO.	DESCRIPTION / SPECIFICATION	REMARK
		L304	0LA1000K119	INDUCTOR, AXIAL LEAD, 100UH K 2.3*3.4 TP	
		L305	0LA1000K119	INDUCTOR, AXIAL LEAD, 100UH K 2.3*3.4 TP	
		L306	6200TEZ001B	FILTER(CIRC), CAPACITOR, ZJSC-R15-180(TA)TDK	
		L307	6200TEZ001B	FILTER(CIRC), CAPACITOR, ZJSC-R15-180(TA)TDK	
		L308	6200TEZ001B	FILTER(CIRC), CAPACITOR, ZJSC-R15-180(TA)TDK	
		L331	0LA1000K119	INDUCTOR,AXIAL LEAD, 100UH K 2.3*3.4 TP	
		FB301	125-155F	CORE (CIRC), BEAD, BFD3580R2FG SAMWHA 3.5*8.0MM RADIAL	
		FB302	125-155J	CORE (CIRC), BEAD, BFS2550A0FG SAMWHA 2.5*5.0MM AXIAL52MM	
		FB303	125-155F	CORE (CIRC), BEAD, BFD3580R2FG SAMWHA 3.5*8.0MM RADIAL	
		FB304	125-155J	CORE (CIRC), BEAD, BFS2550A0FG SAMWHA 2.5*5.0MM AXIAL52MM	
		FB305	125-155J	CORE (CIRC), BEAD, BFS2550A0FG SAMWHA 2.5*5.0MM AXIAL52MM	
		FB306	125-155J	CORE (CIRC), BEAD, BFS2550A0FG SAMWHA 2.5*5.0MM AXIAL52MM	
		FB307	125-155J	CORE (CIRC), BEAD, BFS2550A0FG SAMWHA 2.5*5.0MM AXIAL52MM	
		FB309	125-155A	CORE (CIRC), BEAD, BFD3510R2FG SAMWHA 3.5*10MM RADIAL	
		FB310	125-155F	CORE (CIRC), BEAD, BFD3580R2FG SAMWHA 3.5*8.0MM RADIAL	
		FB311	125-155J	CORE (CIRC), BEAD, BFS2550A0FG SAMWHA 2.5*5.0MM AXIAL52MM	
		FB313	6210TCE001L	CORE (CIRC), BEAD, HB-1T2012-102JT CERATECH 2012MM R/TP	
		FB314	6210TCE001L	CORE (CIRC), BEAD, HB-1T2012-102JT CERATECH 2012MM R/TP	
		FB315	6210TCE001L	CORE (CIRC), BEAD, HB-1T2012-102JT CERATECH 2012MM R/TP	
		FB318	125-155J	CORE (CIRC), BEAD, BFS2550A0FG SAMWHA 2.5*5.0MM AXIAL52MM	
		FB319	125-155L	CORE (CIRC), BEAD, BFS3580A0FG SAMWHA 3.5*8.0MM AXIAL52MM	
		FB320	125-155J	CORE (CIRC), BEAD, BFS2550A0FG SAMWHA 2.5*5.0MM AXIAL52MM	
		FB321	125-155J	CORE (CIRC), BEAD, BFS2550A0FG SAMWHA 2.5*5.0MM AXIAL52MM	
		FB322	6210TCE001Q	CORE (CIRC), BEAD, HB-1T2012-202 CERATECH 2012MM R/TP	
		FB323	6210TCE001Q	CORE (CIRC), BEAD, HB-1T2012-202 CERATECH 2012MM R/TP	
		FB324	6210TCE001Q	CORE (CIRC), BEAD, HB-1T2012-202 CERATECH 2012MM R/TP	
		FB325	6210TCE001Q	CORE (CIRC), BEAD, HB-1T2012-202 CERATECH 2012MM R/TP	
		FB326	125-155F	CORE (CIRC), BEAD, BFD3580R2FG SAMWHA 3.5*8.0MM RADIAL	
TRANSISTORs					
		Q301	0TR390409CA	TRANSISTOR, 2N3904 TP SAMSUNG TO92 NPN	
		Q302	0TR390409CA	TRANSISTOR, 2N3904 TP SAMSUNG TO92 NPN	
		Q303	0TR920009AB	TRANSISTOR, KSP92 TP SAMSUNG TO92 HIGH VOLTAGE TR	
		Q304	0TR920009AB	TRANSISTOR, KSP92 TP SAMSUNG TO92 HIGH VOLTAGE TR	
		Q305	0TR920009AB	TRANSISTOR, KSP92 TP SAMSUNG TO92 HIGH VOLTAGE TR	
		Q306	0TR420009CA	TRANSISTOR, KSP42TA TP SAMSUNG TO92 HIGH VOLTAGE TR	
		Q307	0TR420009CA	TRANSISTOR, KSP42TA TP SAMSUNG TO92 HIGH VOLTAGE TR	
		Q308	0TR420009CA	TRANSISTOR, KSP42TA TP SAMSUNG TO92 HIGH VOLTAGE TR	
		Q309	0TR320209AA	TRANSISTOR, KTC3202-Y(KTC1959) TP KEC TO92 NPN	
		Q310	0TR320209AA	TRANSISTOR, KTC3202-Y(KTC1959) TP KEC TO92 NPN	
		Q311	0TR127009AA	TRANSISTOR, KTA1270-Y(KTA562TM) TP KEC TO92 PNP	
		Q312	0TR127009AA	TRANSISTOR, KTA1270-Y(KTA562TM) TP KEC TO92 PNP	
		Q313	0TR127009AA	TRANSISTOR, KTA1270-Y(KTA562TM) TP KEC TO92 PNP	
		Q314	0TR127009AA	TRANSISTOR, KTA1270-Y(KTA562TM) TP KEC TO92 PNP	
		Q315	0TR127009AA	TRANSISTOR, KTA1270-Y(KTA562TM) TP KEC TO92 PNP	
		Q316	0TR127009AA	TRANSISTOR, KTA1270-Y(KTA562TM) TP KEC TO92 PNP	
RESISTORs					
		R305	0RH2001D622	RESISTOR, CHIP, 2.0K 1/10W 5 D.R/TP	
		R306	0RH2002D622	RESISTOR, CHIP, 20K 1/10W 5 D.R/TP	
		R307	0RH3301D622	RESISTOR, CHIP, 3.3K 1/10W 5 D.R/TP	
		R310	0RD1000Q609	RESISTOR, FIXED CARBON FILM, 100 1/4W(3 5% TA52	
		R311	0RD1000Q609	RESISTOR, FIXED CARBON FILM, 100 1/4W(3 5% TA52	
		R312	0RD1000Q609	RESISTOR, FIXED CARBON FILM, 100 1/4W(3 5% TA52	
		R313	0RH1001D622	RESISTOR, CHIP, 1.0K 1/10W 5 D.R/TP	
		R314	0RD1001Q609	RESISTOR, FIXED CARBON FILM, 1K 1/4W(3 5% TA52	
		R315	0RH1001D622	RESISTOR, CHIP, 1.0K 1/10W 5 D.R/TP	
		R316	0RH3300D622	RESISTOR, CHIP, 330 1/10W 5 D.R/TP	
		R317	0RH3300D622	RESISTOR, CHIP, 330 1/10W 5 D.R/TP	
		R318	0RH3300D622	RESISTOR, CHIP, 330 1/10W 5 D.R/TP	
		R319	0RD1000Q609	RESISTOR, FIXED CARBON FILM, 100 1/4W(3 5% TA52	
		R320	0RD0102Q609	RESISTOR, FIXED CARBON FILM, 10 1/4W(3 5% TA52	
		R321	0RN1502F409	RESISTOR, FIXED METAL FILM, 15K 1/6W 1% TA52	
		R322	0RN2201F409	RESISTOR, FIXED METAL FILM, 2.20K 1/6W 1% TA52	

*S	*AL	LOC. NO.	PART NO.	DESCRIPTION / SPECIFICATION	REMARK
		R323	0RH1801D622	RESISTOR, CHIP, 1.8K 1/10W 5 D.R/TP	
		R324	0RD1000Q609	RESISTOR, FIXED CARBON FILM, 100 1/4W(3 5% TA52	
		R325	0RD1000Q609	RESISTOR, FIXED CARBON FILM, 100 1/4W(3 5% TA52	
		R326	0RD1000Q609	RESISTOR, FIXED CARBON FILM, 100 1/4W(3 5% TA52	
		R328	0RH1801D622	RESISTOR, CHIP, 1.8K 1/10W 5 D.R/TP	
		R329	0RH1801D622	RESISTOR, CHIP, 1.8K 1/10W 5 D.R/TP	
		R330	0RH4701D622	RESISTOR, CHIP, 4.7K 1/10W 5 D.R/TP	
		R332	0RD0102Q609	RESISTOR, FIXED CARBON FILM, 10 1/4W(3 5% TA52	
		R333	0RD0102Q609	RESISTOR, FIXED CARBON FILM, 10 1/4W(3 5% TA52	
		R3330	0RH1001D622	RESISTOR, CHIP, 1.0K 1/10W 5 D.R/TP	
		R334	0RD0102Q609	RESISTOR, FIXED CARBON FILM, 10 1/4W(3 5% TA52	
		R335	0RD1200Q609	RESISTOR, FIXED CARBON FILM, 120 1/4W(3 5% TA52	
		R336	0RD1100Q609	RESISTOR, FIXED CARBON FILM, 110 1/4W(3 5% TA52	
		R337	0RD1100Q609	RESISTOR, FIXED CARBON FILM, 110 1/4W(3 5% TA52	
		R338	0RX0332K665	RESISTOR, SMALL FIX METAL FILM OXIDE, 33 OHM 2 W 5% SF	
		R339	0RD0332A609	RESISTOR, FIXED CARBON FILM, 33 OHM 1/2 W (7.0) 5% TA52	
		R340	0RD0332A609	RESISTOR, FIXED CARBON FILM, 33 OHM 1/2 W (7.0) 5% TA52	
		R341	0RD1004Q609	RESISTOR, FIXED CARBON FILM, 1M OHM 1/4 W (3.4) 5% TA52	
		R342	0RD1004Q609	RESISTOR, FIXED CARBON FILM, 1M OHM 1/4 W (3.4) 5% TA52	
		R343	0RD1004Q609	RESISTOR, FIXED CARBON FILM, 1M OHM 1/4 W (3.4) 5% TA52	
		R344	0RH5602D622	RESISTOR, CHIP, 56K 1/10W 5 D.R/TP	
		R345	0RH5602D622	RESISTOR, CHIP, 56K 1/10W 5 D.R/TP	
		R346	0RH5602D622	RESISTOR, CHIP, 56K 1/10W 5 D.R/TP	
		R347	0RH2402D622	RESISTOR, CHIP, 24K 1/10W 5 TA	
		R348	0RD2402Q609	RESISTOR, FIXED CARBON FILM, 24K 1/4W(3 5% TA52	
		R349	0RD2402Q609	RESISTOR, FIXED CARBON FILM, 24K 1/4W(3 5% TA52	
		R350	0RD1000Q609	RESISTOR, FIXED CARBON FILM, 100 1/4W(3 5% TA52	
		R351	0RD1000Q609	RESISTOR, FIXED CARBON FILM, 100 1/4W(3 5% TA52	
		R352	0RD1000Q609	RESISTOR, FIXED CARBON FILM, 100 1/4W(3 5% TA52	
		R354	0RD0112A609	RESISTOR, FIXED CARBON FILM, 11 OHM 1/2 W (7.0) 5% TA52	
		R355	0RD0112A609	RESISTOR, FIXED CARBON FILM, 11 OHM 1/2 W (7.0) 5% TA52	
		R356	0RH3300D622	RESISTOR, CHIP, 330 1/10W 5 D.R/TP	
		R357	0RH3300D622	RESISTOR, CHIP, 330 1/10W 5 D.R/TP	
		R358	0RH0472D622	RESISTOR, CHIP, 47 1/10W 5 D.R/TP	
		R359	0RD0472Q609	RESISTOR, FIXED CARBON FILM, 47 1/4W(3 5% TA52	
		R360	0RH8201D622	RESISTOR, CHIP, 8.2K 1/10W 5 D.R/TP	
		R361	0RH8201D622	RESISTOR, CHIP, 8.2K 1/10W 5 D.R/TP	
		R362	0RH3301D622	RESISTOR, CHIP, 3.3K 1/10W 5 D.R/TP	
		R363	0RD4700Q609	RESISTOR, FIXED CARBON FILM, 470 OHM 1/4 W (3.4) 5% TA52	
		R364	0RH3301D622	RESISTOR, CHIP, 3.3K 1/10W 5 D.R/TP	
		R365	0RD4700Q609	RESISTOR, FIXED CARBON FILM, 470 OHM 1/4 W (3.4) 5% TA52	
		R368	0RD1000Q609	RESISTOR, FIXED CARBON FILM, 100 1/4W(3 5% TA52	
		R369	0RD4700Q609	RESISTOR, FIXED CARBON FILM, 470 OHM 1/4 W (3.4) 5% TA52	
		R370	0RD4701Q609	RESISTOR, FIXED CARBON FILM, 4.70K 1/4W(3 5% TA52	
		R371	0RH4702D622	RESISTOR, CHIP, 47K 1/10W 5 D.R/TP	
		R372	0RH4702D622	RESISTOR, CHIP, 47K 1/10W 5 D.R/TP	
		R373	0RH4702D622	RESISTOR, CHIP, 47K 1/10W 5 D.R/TP	
		R374	0RH2401D622	RESISTOR, CHIP, 2.4K 1/10W 5 TA	
		R375	0RH2401D622	RESISTOR, CHIP, 2.4K 1/10W 5 TA	
		R376	0RH2401D622	RESISTOR, CHIP, 2.4K 1/10W 5 TA	
		R379	0RH0752D622	RESISTOR, CHIP, 75 1/10W 5 D.R/TP	
		R380	0RD0752Q609	RESISTOR, FIXED CARBON FILM, 75 1/4W(3 5% TA52	
		R381	0RH0752D622	RESISTOR, CHIP, 75 1/10W 5 D.R/TP	
		R383	0RH0752D622	RESISTOR, CHIP, 75 1/10W 5 D.R/TP	
		R384	0RH0752D622	RESISTOR, CHIP, 75 1/10W 5 D.R/TP	
		R385	0RH0752D622	RESISTOR, CHIP, 75 1/10W 5 D.R/TP	
		R386	0RH1203D622	RESISTOR, CHIP, 120K OHM 1 / 10 W 5% D R/TP	
		R387	0RD1500Q609	RESISTOR, FIXED CARBON FILM, 150 1/4W(3 5% TA52	
		R389	0RD4701Q609	RESISTOR, FIXED CARBON FILM, 4.70K 1/4W(3 5% TA52	
		R390	0RD4701Q609	RESISTOR, FIXED CARBON FILM, 4.70K 1/4W(3 5% TA52	
		R391	0RH5601D622	RESISTOR, CHIP, 5.6K 1/10W 5 D.R/TP	
		R392	0RH2203D622	RESISTOR, CHIP, 220K 1/10W 5 D.R/TP	
		R393	0RH2001D622	RESISTOR, CHIP, 2.0K 1/10W 5 D.R/TP	
		R394	0RH1001D622	RESISTOR, CHIP, 1.0K 1/10W 5 D.R/TP	
		R395	0RH1002D622	RESISTOR, CHIP, 10K 1/10W 5 D.R/TP	

*S	*AL	LOC. NO.	PART NO.	DESCRIPTION / SPECIFICATION	REMARK
OTHERs					
		SC301 SG301 SG302 SG303 SG304 SG305	6620TBD003A 6918TAT005A 6918TAT005A 6918TAT005A 6918TAT005A 165-004A	SOCKET (CIRC), CPT, PCS701E PARK ELEC. 10PIN 14/360 STRAIGHT SPARK GAP, AXIAL, MTA-201MT GIGA AXIAL TAPING SPARK GAP, AXIAL, MTA-201MT GIGA AXIAL TAPING SPARK GAP, AXIAL, MTA-201MT GIGA AXIAL TAPING SPARK GAP, AXIAL, MTA-201MT GIGA AXIAL TAPING SPARK GAP, RADIAL, AG20PT 152F-L3N/S-23 HANDOK RADIAL BULK	
CONTROL BOARD					
		C201 C202 C203 C204 C205 C206 D202 D232 L206 L207 L208 L209 R201 R202 R203 R204 R205 R209 R210 R211 R220 SW201 SW202 SW203 SW204 SW205 VR201 VR202	0CN1040K949 0CE1064H638 0CN1040K949 0CN1040K949 0CN1040K949 0CN1040K949 0DZ560009CE 0DL305029AA 125-155J 125-155J 125-155J 125-155J 0RN1300F409 0RD3900Q509 0RD5600Q509 0RN1301F409 0RN3901F409 0RN1001F409 0RD0822Q609 0RD2200Q609 0RD2200Q609 140-058D 140-058D 140-058D 140-058D 140-058D 6110T9H001A 6110T9H001A	CAPACITOR, TUBULAR(HIGH DIELEC), 0.1M 50V Z F TA52 CAPACITOR, AL.ELECTROLYTIC, 10UF SRA 25V M FM5 TP5 CAPACITOR, TUBULAR(HIGH DIELEC), 0.1M 50V Z F TA52 CAPACITOR, TUBULAR(HIGH DIELEC), 0.1M 50V Z F TA52 CAPACITOR, TUBULAR(HIGH DIELEC), 0.1M 50V Z F TA52 CAPACITOR, TUBULAR(HIGH DIELEC), 0.1M 50V Z F TA52 DIODE, ZENER, MTZJ5.6B TP ROHM-K DO34 500MW 5.6V 5MA 26MM LED, LTL-305FJ-0C2 TP LITEON GREEN/RED 19/5.6MCD CORE (CIRC), BEAD, BFS2550A0FG SAMWHA 2.5*5.0MM AXIAL52MM CORE (CIRC), BEAD, BFS2550A0FG SAMWHA 2.5*5.0MM AXIAL52MM CORE (CIRC), BEAD, BFS2550A0FG SAMWHA 2.5*5.0MM AXIAL52MM CORE (CIRC), BEAD, BFS2550A0FG SAMWHA 2.5*5.0MM AXIAL52MM RESISTOR, FIXED METAL FILM, 130 1/6W 1% TA52 RESISTOR, FIXED CARBON FILM, 390 OHM 1/4 W (3.4) 2% TA52 RESISTOR, FIXED CARBON FILM, 560 OHM 1/4 W (3.4) 2% TA52 RESISTOR, FIXED METAL FILM, 1.30K 1/6W 1% TA52 RESISTOR, FIXED METAL FILM, 3.90K 1/6W 1% TA52 RESISTOR, FIXED METAL FILM, 1K 1/6W 1% TA52 RESISTOR, FIXED CARBON FILM, 82 1/4W(3 5% TA52 RESISTOR, FIXED CARBON FILM, 220 1/4W(3 5% TA52 RESISTOR, FIXED CARBON FILM, 220 1/4W(3 5% TA52 SWITCH, TACT, SKHV10911A LGEC NON 12 20 HORIZONTAL 160 SWITCH, TACT, SKHV10911A LGEC NON 12 20 HORIZONTAL 160 SWITCH, TACT, SKHV10911A LGEC NON 12 20 HORIZONTAL 160 SWITCH, TACT, SKHV10911A LGEC NON 12 20 HORIZONTAL 160 SWITCH, TACT, SKHV10911A LGEC NON 12 20 HORIZONTAL 160 VOLUME, "9PHI 10K F L15 ""NC,JP/SW,SINGLE"" VOLUME, "9PHI 10K F L15 ""NC,JP/SW,SINGLE""	
MISCELLANEOUS					
△ △		CDT CDT CDT EARTH D/COIL P/CORD S/CABLE	2423GG2E91R 2423GG2E91V 6868T19001C 6140TC2006A 6410TUW001C 387-874H	CDT SET, M46QCG903X 02NPLD FOR NORTHERN HEMISPHERE CDT SET, M46QCG903X 02NPLD FOR SOUTHERN HEMISPHERE CDT EARTH, CB995C TIN WIRE BRAID(128), COIL,DEGAUSSING, "1330MM 16.5 OHM 0.45MM 110T 19"" CB995C" POWER CORD, YC-2+YC-5 YU CHOU UL/CSA 1870MM WALL 85964 GRAY SIGNAL CABLE, UL 2990-9C DT 1870MM GRAY(85964) CB910 GM	